



NORMAL TİP KABLO KANALLARI H60

NORMAL TYPE CABLE TRAYS H60

Normal Tip Kablo Kanalı

Normal Type Cable Tray

Sipariş No (Order Number)	A (mm)	H (mm)	S (mm)	Ağırlığı (Weight) Kg / Mt
AFC - 60 N 50 . 10	50	60	1.0	1,196
AFC - 60 N 50 . 12	50	60	1.2	1,436
AFC - 60 N 50 . 15	50	60	1.5	1,795
AFC - 60 N 50 . 20	50	60	2.0	2,393
AFC - 60 N 70 . 10	70	60	1.0	1,316
AFC - 60 N 70 . 12	70	60	1.2	1,580
AFC - 60 N 70 . 15	70	60	1.5	1,975
AFC - 60 N 70 . 20	70	60	2.0	2,633
AFC - 60 N 100 . 10	100	60	1.0	1,499
AFC - 60 N 100 . 12	100	60	1.2	1,799
AFC - 60 N 100 . 15	100	60	1.5	2,249
AFC - 60 N 100 . 20	100	60	2.0	2,999
AFC - 60 N 120 . 10	120	60	1.0	1,619
AFC - 60 N 120 . 12	120	60	1.2	1,943
AFC - 60 N 120 . 15	120	60	1.5	2,429
AFC - 60 N 120 . 20	120	60	2.0	3,239
AFC - 60 N 160 . 12	160	60	1.2	2,246
AFC - 60 N 160 . 15	160	60	1.5	2,808
AFC - 60 N 160 . 20	160	60	2.0	3,744
AFC - 60 N 200 . 12	200	60	1.2	2,539
AFC - 60 N 200 . 15	200	60	1.5	3,174
AFC - 60 N 200 . 20	200	60	2.0	4,232
AFC - 60 N 260 . 15	260	60	1.5	3,775
AFC - 60 N 260 . 20	260	60	2.0	5,034
AFC - 60 N 300 . 15	300	60	1.5	4,089
AFC - 60 N 300 . 20	300	60	2.0	5,451
AFC - 60 N 400 . 15	400	60	1.5	4,980
AFC - 60 N 400 . 20	400	60	2.0	6,640
AFC - 60 N 500 . 20	500	60	2.0	7,859
AFC - 60 N 600 . 20	600	60	2.0	9,079

Yüzey Koruma Yöntemleri

D: Sıcak Daldırma Galvaniz (TS914)
E: Beyaz Elektro Galvaniz (TS149)
S: Sarı Elektro Galvaniz (TS149)
B: Elektrostatik Toz Boya Kodu (R7035)
ALE : Elokallı Alüminyum

Malzeme Tipleri

P : Pre Galvaniz (TS822)
AL : Alüminyum
304 : Paslanmaz

Malzeme Tipi ve Yüzey Koruma Yöntemini belirtmek için Kod'un sonuna ilgili sembolü ekleyiniz. Örnek: AFC - 60 N 100.10 P

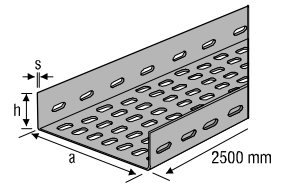
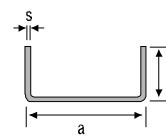
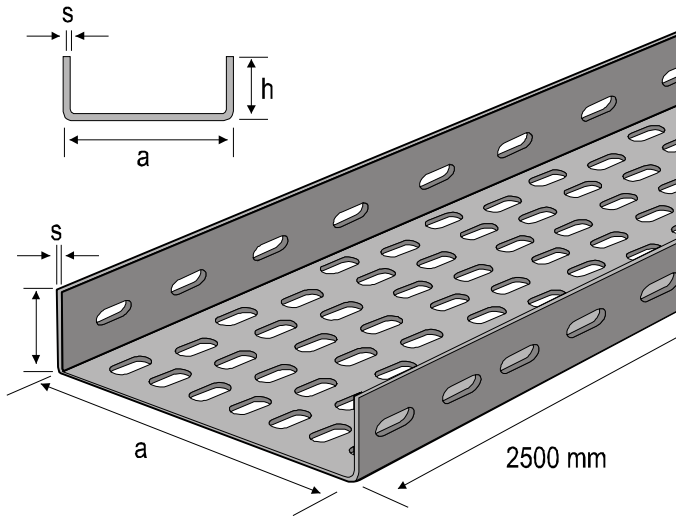
Surface Treatment

D: Hot-Dip Zinc Coating (EN1461)
E: Electrolytic Zinc Coating E=White (DIN50976)
S: Electrolytic Zinc Coating - Yellow (DIN50976)
B: Electro-static Powder Coating (R7035)
ALE : Aluminium Anodized

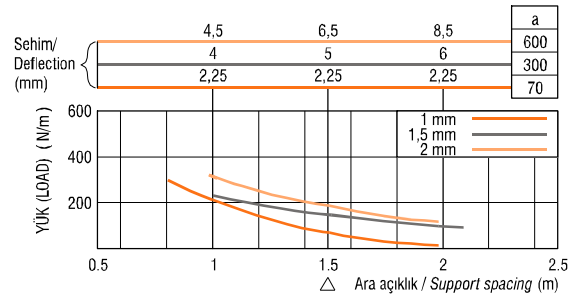
Materials

P : Pre Galvanized (EN10142 / DIN17162)
AL : Aluminium
304 : Stainless Steel
You may order material types and coating specifications with a symbol which put end of the code. Example: AFC - 60 N 100.10 P

maksimum yük kapasiteleri (maximum load capacity)



Emniyet faktörü 1,7 dir. / Safety factor is 1,7.



Yük taşıma kapasiteleri belirlenirken kablo kanallarının N/m olarak ağırlıklarına dikkate alınmalıdır. / When determining the load capacities the unit weights (asper N/m) of the cable trays should be considered.
Ek yerleri sistemde herhangi bir yerde olabilir. / Connecting places can be anywhere in the system.
Tavsiye edilen destekler arası maksimum mesafe (max. ara açıklık) 1.5 m dir. / Recommended distance between supports is max 1.5 mt.



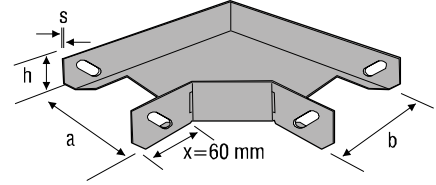
NORMAL TİP KABLO KANALLARI H60

NORMAL TYPE CABLE TRAYS H60

90° Yatay Dönüşler

Horizontal Bends 90°

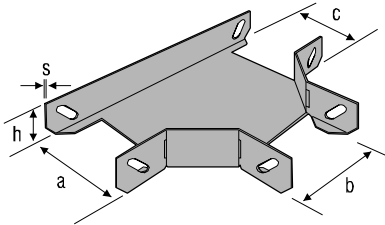
Sipariş No (Order Number)	A (mm)	B (mm)	H (mm)	S (mm)	Ağırlığı (Weight) Kg / Ad
AFC - 60 NK 50 . 15	55	55	62	1.5	0,812
AFC - 60 NK 70 . 15	75	75	62	1.5	0,904
AFC - 60 NK 100 . 15	105	105	62	1.5	1,060
AFC - 60 NK 120 . 15	125	125	62	1.5	1,177
AFC - 60 NK 160 . 15	165	165	62	1.5	1,438
AFC - 60 NK 200 . 15	205	205	62	1.5	1,737
AFC - 60 NK 260 . 15	265	265	62	1.5	2,259
AFC - 60 NK 300 . 20	305	305	62	2.0	3,539
AFC - 60 NK 400 . 20	405	405	62	2.0	5,081
AFC - 60 NK 500 . 20	505	505	62	2.0	6,944
AFC - 60 NK 600 . 20	605	605	62	2.0	9,126



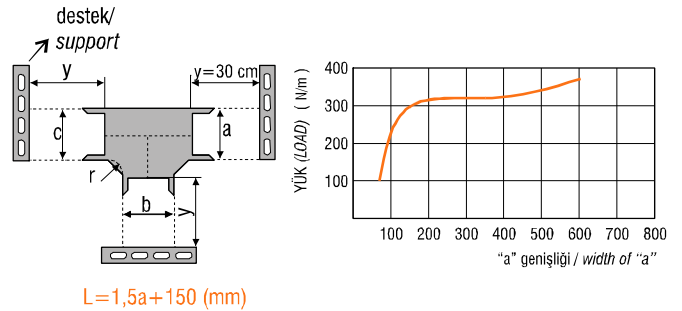
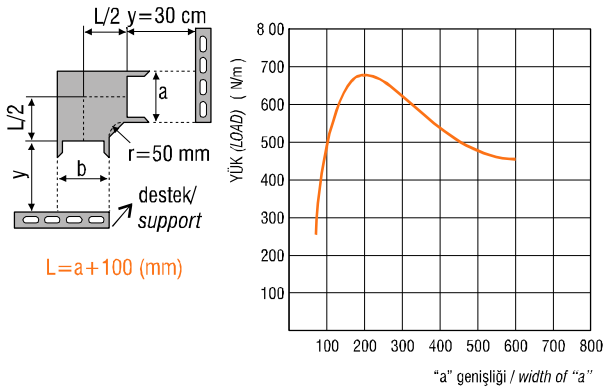
T Dönüşler

Horizontal Tees

Sipariş No (Order Number)	A (mm)	B (mm)	C (mm)	H (mm)	S (mm)	Ağırlığı (Weight) Kg / Ad
AFC - 60 NT 50 . 15	55	55	55	62	1.5	1,680
AFC - 60 NT 70 . 15	75	75	75	62	1.5	1,765
AFC - 60 NT 100 . 15	105	105	105	62	1.5	1,910
AFC - 60 NT 120 . 15	125	125	125	62	1.5	2,058
AFC - 60 NT 160 . 15	165	165	165	62	1.5	2,266
AFC - 60 NT 200 . 15	205	205	205	62	1.5	2,551
AFC - 60 NT 260 . 15	265	265	265	62	1.5	3,051
AFC - 60 NT 300 . 20	305	305	305	62	2.0	4,576
AFC - 60 NT 400 . 20	405	405	405	62	2.0	6,070
AFC - 60 NT 500 . 20	505	505	505	62	2.0	9,651
AFC - 60 NT 600 . 20	605	605	605	62	2.0	11,062



maksimum yük kapasiteleri (maximum load capacity)





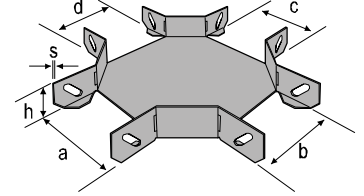
NORMAL TİP KABLO KANALLARI H60

NORMAL TYPE CABLE TRAYS H60

Dörtlü Bağlantılar

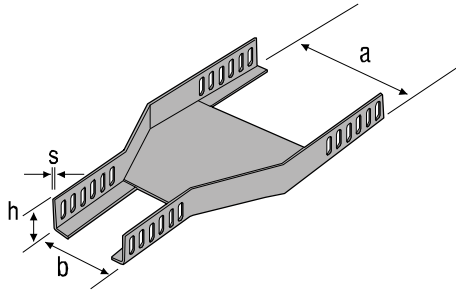
Horizontal Crossings

Sipariş No (Order Number)	A (mm)	B (mm)	C (mm)	D (mm)	H (mm)	S (mm)	Ağırlığı (Weight) Kg / Ad
AFC - 60 ND 50 . 15	55	55	55	55	62	1.5	4,837
AFC - 60 ND 70 . 15	75	75	75	75	62	1.5	4,915
AFC - 60 ND 100 . 15	105	105	105	105	62	1.5	5,049
AFC - 60 ND 120 . 15	125	125	125	125	62	1.5	5,151
AFC - 60 ND 160 . 15	165	165	165	165	62	1.5	5,383
AFC - 60 ND 200 . 15	205	205	205	205	62	1.5	5,654
AFC - 60 ND 260 . 15	265	265	265	265	62	1.5	6,132
AFC - 60 ND 300 . 20	305	305	305	305	62	2.0	8,665
AFC - 60 ND 400 . 20	405	405	405	405	62	2.0	10,111
AFC - 60 ND 500 . 20	505	505	505	505	62	2.0	11,878
AFC - 60 ND 600 . 20	605	605	605	605	62	2.0	13,964



Redüksiyonlar (Düz)

Reducing Angles

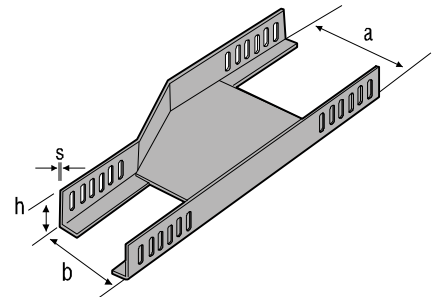


Sipariş No (Order Number)	A (mm)	B (mm)	H (mm)	S (mm)	Ağırlığı (Weight) Kg / Ad
AFC - 60 NR 70 . 15	75	55	62	1.5	1,225
AFC - 60 NR 100 . 15	105	75	62	1.5	1,389
AFC - 60 NR 120 . 15	125	105	62	1.5	1,516
AFC - 60 NR 160 . 15	165	125	62	1.5	1,796
AFC - 60 NR 200 . 15	205	165	62	1.5	2,118
AFC - 60 NR 260 . 15	265	205	62	1.5	2,660
AFC - 60 NR 300 . 20	305	265	62	1.5	4,115
AFC - 60 NR 400 . 20	405	305	62	2.0	5,670
AFC - 60 NR 500 . 20	505	405	62	2.0	7,567
AFC - 60 NR 600 . 20	605	505	62	2.0	9,794

Redüksiyonlar (Sol)

Reducing Angles (Left)

Sipariş No (Order Number)	A (mm)	B (mm)	H (mm)	S (mm)	Ağırlığı (Weight) Kg / Ad
AFC - 60 NRL 70 . 15	75	55	62	1.5	0,640
AFC - 60 NRL 100 . 15	105	75	62	1.5	0,757
AFC - 60 NRL 120 . 15	125	105	62	1.5	0,846
AFC - 60 NRL 160 . 15	165	125	62	1.5	1,050
AFC - 60 NRL 200 . 15	205	165	62	1.5	1,294
AFC - 60 NRL 260 . 15	265	205	62	1.5	1,723
AFC - 60 NRL 300 . 20	305	265	62	1.5	2,767
AFC - 60 NRL 400 . 20	405	305	62	2.0	4,050
AFC - 60 NRL 500 . 20	505	405	62	2.0	5,700
AFC - 60 NRL 600 . 20	605	505	62	2.0	7,675

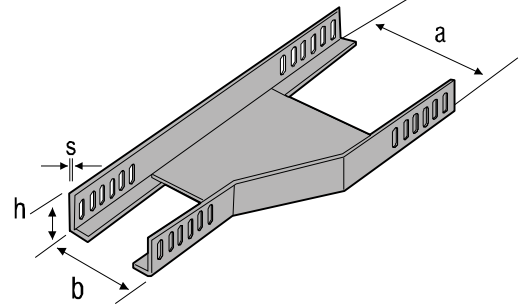




NORMAL TİP KABLO KANALLARI H60 NORMAL TYPE CABLE TRAYS H60

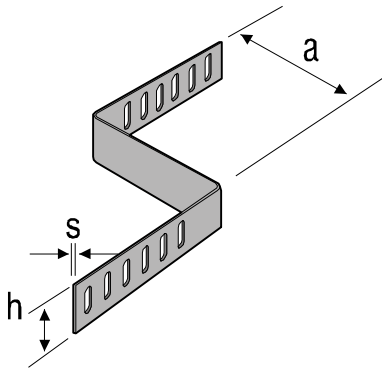
Redüksiyonlar (Sağ) Reducing Angles (Right)

Sipariş No (Order Number)	A (mm)	B (mm)	H (mm)	S (mm)	Ağırlığı (Weight) Kg / Ad
AFC - 60 NRR 70 . 15	75	55	62	1.5	0,640
AFC - 60 NRR 100 . 15	105	75	62	1.5	0,757
AFC - 60 NRR 120 . 15	125	105	62	1.5	0,846
AFC - 60 NRR 160 . 15	165	125	62	1.5	1,050
AFC - 60 NRR 200 . 15	205	165	62	1.5	1,294
AFC - 60 NRR 260 . 15	265	205	62	1.5	1,723
AFC - 60 NRR 300 . 20	305	265	62	1.5	2,767
AFC - 60 NRR 400 . 20	405	305	62	2.0	4,050
AFC - 60 NRR 500 . 20	505	405	62	2.0	5,700
AFC - 60 NRR 600 . 20	605	505	62	2.0	7,675



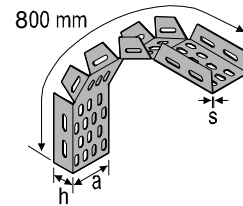
Z Tipi Redüksiyonlar Z Type Reducing Angles

Sipariş No (Order Number)	A (mm)	H (mm)	S (mm)	Ağırlığı (Weight) Kg / Ad
AFC - 60 ZR 25 . 15	25	60	1.5	0,176
AFC - 60 ZR 50 . 15	50	60	1.5	0,194
AFC - 60 ZR 75 . 15	75	60	1.5	0,212
AFC - 60 ZR 100 . 15	100	60	1.5	0,230
AFC - 60 ZR 125 . 15	125	60	1.5	0,248
AFC - 60 ZR 160 . 15	160	60	1.5	0,266
AFC - 60 ZR 200 . 15	200	60	1.5	0,302
AFC - 60 ZR 260 . 20	260	60	2.0	0,450
AFC - 60 ZR 300 . 20	300	60	2.0	0,498
AFC - 60 ZR 350 . 20	350	60	2.0	0,546
AFC - 60 ZR 400 . 20	400	60	2.0	0,594
AFC - 60 ZR 450 . 20	450	60	2.0	0,642
AFC - 60 ZR 500 . 20	500	60	2.0	0,690
AFC - 60 ZR 550 . 20	550	60	2.0	0,738



Dış Bükey Dönüşler Vertical Adjustable Bends Outside

Sipariş No (Order Number)	A (mm)	H (mm)	S (mm)	Ağırlığı (Weight) Kg / Ad
AFC - 60 NDB 50 . 15	50	60	1.5	1,464
AFC - 60 NDB 70 . 15	70	60	1.5	1,628
AFC - 60 NDB 100 . 15	100	60	1.5	1,890
AFC - 60 NDB 120 . 15	120	60	1.5	2,044
AFC - 60 NDB 160 . 15	160	60	1.5	2,376
AFC - 60 NDB 200 . 15	200	60	1.5	2,706
AFC - 60 NDB 260 . 15	260	60	1.5	3,228
AFC - 60 NDB 300 . 20	300	60	2.0	4,745
AFC - 60 NDB 400 . 20	400	60	2.0	5,851
AFC - 60 NDB 500 . 20	500	60	2.0	6,989
AFC - 60 NDB 600 . 20	600	60	2.0	8,202

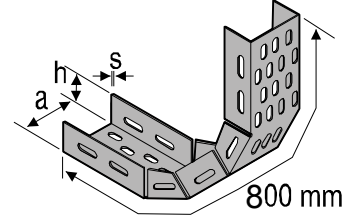




NORMAL TİP KABLO KANALLARI H60 NORMAL TYPE CABLE TRAYS H60

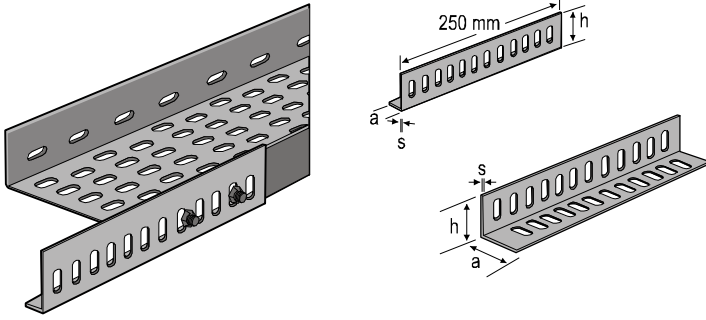
İç Bükey Dönüşler Vertical Adjustable Bends Inside

Sipariş No (Order Number)	A (mm)	H (mm)	S (mm)	Ağırlığı (Weight) Kg / Ad
AFC - 60 NİB 50 . 15	50	60	1.5	1,464
AFC - 60 NİB 70 . 15	70	60	1.5	1,628
AFC - 60 NİB 100 . 15	100	60	1.5	1,890
AFC - 60 NİB 120 . 15	120	60	1.5	2,044
AFC - 60 NİB 160 . 15	160	60	1.5	2,376
AFC - 60 NİB 200 . 15	200	60	1.5	2,706
AFC - 60 NİB 260 . 15	260	60	1.5	3,228
AFC - 60 NİB 300 . 20	300	60	2.0	4,745
AFC - 60 NİB 400 . 20	400	60	2.0	5,851
AFC - 60 NİB 500 . 20	500	60	2.0	6,989
AFC - 60 NİB 600 . 20	600	60	2.0	8,202



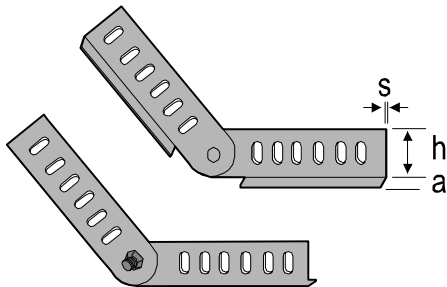
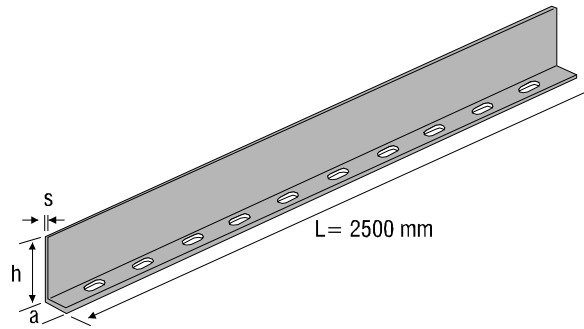
Ek Elemanları Staright Connectors

Sipariş No (Order Number)	A (mm)	H (mm)	S (mm)	Ağırlığı (Weight) Kg / Ad
AFC - 60 NE 15 . 15	15	62	1.5	0,198
AFC - 60 NE 15 . 20	15	62	2.0	0,265
AFC - 60 NE 40 . 20	40	62	2.0	0,308



Seperatör Seperator

Sipariş No (Order Number)	A (mm)	H (mm)	S (mm)	Ağırlığı (Weight) Kg / Mt
AFC - 60 SPK 20 . 15	20	58	1.5	0,917



Seviye Değişirme Elemanı Level Change Unit

Sipariş No (Order Number)	A (mm)	H (mm)	S (mm)	Ağırlığı (Weight) Kg / Ad
AFC - 60 SD 15 . 20	15	62	2.0	0,447