



AĞIR HİZMET KABLO KANALLARI H60 HEAVY DUTY CABLE TRAYS H60

Ağır Hizmet Kablo Kanalları Heavy Duty Cable Trays

Sipariş No (Order Number)	A (mm)	H (mm)	S (mm)	Ağırlığı (Weight) Kg / Mt
AFC - 60 A 50 . 10	50	60	1.0	1,353
AFC - 60 A 50 . 12	50	60	1.2	1,624
AFC - 60 A 50 . 15	50	60	1.5	2,030
AFC - 60 A 50 . 20	50	60	2.0	2,707
AFC - 60 A 70 . 10	70	60	1.0	1,473
AFC - 60 A 70 . 12	70	60	1.2	1,768
AFC - 60 A 70 . 15	70	60	1.5	2,210
AFC - 60 A 70 . 20	70	60	2.0	2,947
AFC - 60 A 100 . 10	100	60	1.0	1,663
AFC - 60 A 100 . 12	100	60	1.2	1,995
AFC - 60 A 100 . 15	100	60	1.5	2,494
AFC - 60 A 100 . 20	100	60	2.0	3,326
AFC - 60 A 120 . 10	120	60	1.0	1,776
AFC - 60 A 120 . 12	120	60	1.2	2,132
AFC - 60 A 120 . 15	120	60	1.5	2,664
AFC - 60 A 120 . 20	120	60	2.0	3,553
AFC - 60 A 160 . 12	160	60	1.2	2,435
AFC - 60 A 160 . 15	160	60	1.5	3,043
AFC - 60 A 160 . 20	160	60	2.0	4,058
AFC - 60 A 200 . 12	200	60	1.2	2,727
AFC - 60 A 200 . 15	200	60	1.5	3,409
AFC - 60 A 200 . 20	200	60	2.0	4,546
AFC - 60 A 260 . 12	260	60	1.2	3,209
AFC - 60 A 260 . 15	260	60	1.5	4,011
AFC - 60 A 260 . 20	260	60	2.0	5,348
AFC - 60 A 300 . 15	300	60	1.5	4,324
AFC - 60 A 300 . 20	300	60	2.0	5,765
AFC - 60 A 400 . 15	400	60	1.5	5,215
AFC - 60 A 400 . 20	400	60	2.0	6,954
AFC - 60 A 500 . 20	500	60	2.0	8,173
AFC - 60 A 600 . 20	600	60	2.0	9,393

Yüzey Koruma Yöntemleri

D: Sıcak Daldırma Galvaniz (TS914)
E: Beyaz Elektro Galvaniz (TS149)
S: Sarı Elektro Galvaniz (TS149)
B: Elektrostatik Toz Boya Kodu (R7035)
ALE : Elokssalli Alüminyum

Malzeme Tipleri

P : Pre Galvaniz (TS822)
AL : Alüminyum
304 : Paslanmaz

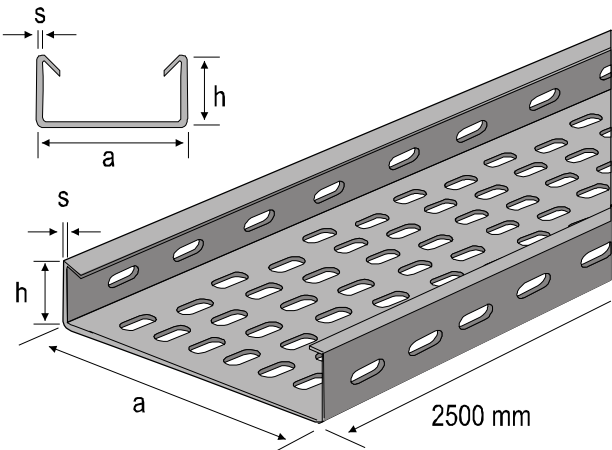
Malzeme Tipi ve Yüzey Koruma Yöntemini belirtmek için Kod'un sonuna ilgili sembolü ekleyiniz. Örnek: AFC - 60 A 100.10 P

Surface Treatment

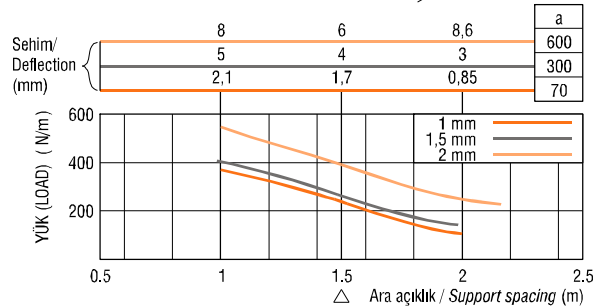
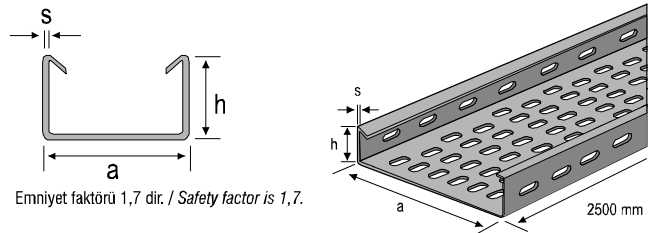
D: Hot-Dip Zinc Coating (EN1461)
E: Electrolytic Zinc Coating E=White (DIN50976)
S: Electrolytic Zinc Coating - Yellow (DIN50976)
B: Electro-static Powder Coating (R7035)
ALE : Aluminium Anodized

Materials

P : Pre Galvanized (EN10142 / DIN17162)
AL : Aluminium
304 : Stainless Steel
You may order material types and coating specifications with a symbol which put end of the code. Example: AFC - 60 A 100.10 P



maksimum yük kapasiteleri (maximum load capacity)



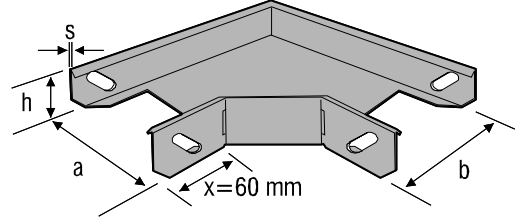
Yük taşıma kapasiteleri belirlenirken kablo kanallarının N/m olarak ağırlıkları dikkate alınmalıdır. /
When determining the load capacities the unit weights (asper N/m) of the cable trays should be considered.
Ek yerleri sistemde herhangi bir yerde olabilir. / Connecting places can be anywhere in the system.
Tavsiye edilen destekler arası maksimum mesafe (max. ara açıklık) 1.5 m dir. /
Recommended distance between supports is max 1.5 mt.



AĞIR HİZMET KABLO KANALLARI H60 HEAVY DUTY CABLE TRAYS H60

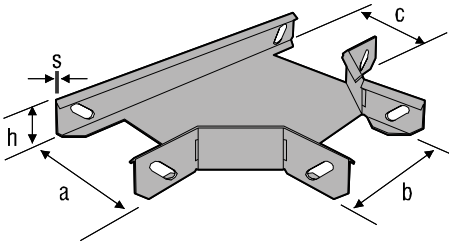
90° Yatay Dönüşler Horizontal Bends 90°

Sipariş No (Order Number)	A (mm)	B (mm)	H (mm)	S (mm)	Ağırlığı (Weight) Kg / Ad
AFC - 60 AK 50 . 15	55	55	66	1.5	0,951
AFC - 60 AK 70 . 15	75	75	66	1.5	1,050
AFC - 60 AK 100 . 15	105	105	66	1.5	1,217
AFC - 60 AK 120 . 15	125	125	66	1.5	1,340
AFC - 60 AK 160 . 15	165	165	66	1.5	1,707
AFC - 60 AK 200 . 15	205	205	66	1.5	1,930
AFC - 60 AK 260 . 15	265	265	66	1.5	2,450
AFC - 60 AK 300 . 20	305	305	66	2.0	3,844
AFC - 60 AK 400 . 20	405	405	66	2.0	5,434
AFC - 60 AK 500 . 20	505	505	66	2.0	7,344
AFC - 60 AK 600 . 20	605	605	66	2.0	9,575

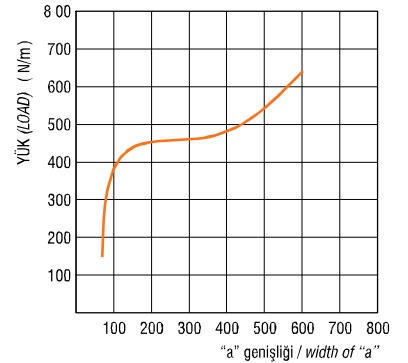
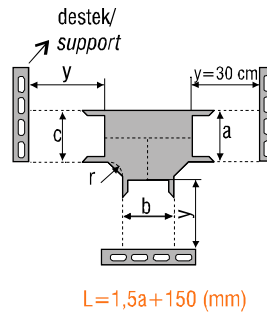
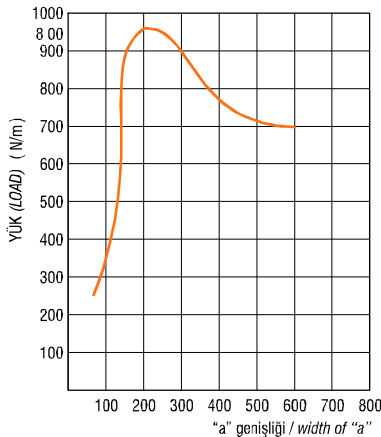
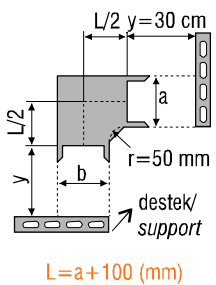


T Dönüşler Horizontal Tees

Sipariş No (Order Number)	A (mm)	B (mm)	C (mm)	H (mm)	S (mm)	Ağırlığı (Weight) Kg / Ad
AFC - 60 AT 50 . 15	55	55	55	66	1.5	1,975
AFC - 60 AT 70 . 15	75	75	75	66	1.5	2,064
AFC - 60 AT 100 . 15	105	105	105	66	1.5	2,215
AFC - 60 AT 120 . 15	125	125	125	66	1.5	2,373
AFC - 60 AT 160 . 15	165	165	165	66	1.5	2,570
AFC - 60 AT 200 . 15	205	205	205	66	1.5	2,873
AFC - 60 AT 260 . 15	265	265	265	66	1.5	3,373
AFC - 60 AT 300 . 20	305	305	305	66	2.0	5,030
AFC - 60 AT 400 . 20	405	405	405	66	2.0	6,548
AFC - 60 AT 500 . 20	505	505	505	66	2.0	8,386
AFC - 60 AT 600 . 20	605	605	605	66	2.0	10,545



maksimum yük kapasiteleri (maximum load capacity)



Yükler uygulanırken L boyu dikkate alınmalıdır. / The length of L should be considered while loading.
Yük uniform yayılı yüküdür. / Load distribution is assumed to be uniform.
Emniyet faktörü 1,7 dir. / Safety factor is 1,7.



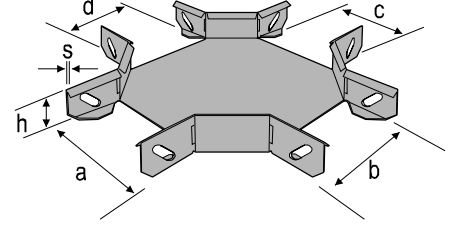
AĞIR HİZMET KABLO KANALLARI H60

HEAVY DUTY CABLE TRAYS H60

Dörtlü Bağlantılar

Horizontal Crossings

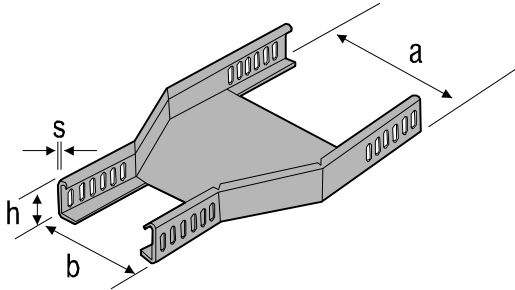
Sipariş No (Order Number)	A (mm)	B (mm)	C (mm)	D (mm)	H (mm)	S (mm)	Ağırlığı (Weight) Kg / Ad
AFC - 60 AD 50 . 15	55	55	55	55	66	1.5	5,730
AFC - 60 AD 70 . 15	75	75	75	75	66	1.5	5,807
AFC - 60 AD 100 . 15	105	105	105	105	66	1.5	5,942
AFC - 60 AD 120 . 15	125	125	125	125	66	1.5	6,044
AFC - 60 AD 160 . 15	165	165	165	165	66	1.5	6,276
AFC - 60 AD 200 . 15	205	205	205	205	66	1.5	6,547
AFC - 60 AD 260 . 15	265	265	265	265	66	1.5	7,025
AFC - 60 AD 300 . 20	305	305	305	305	66	2.0	9,855
AFC - 60 AD 400 . 20	405	405	405	405	66	2.0	11,302
AFC - 60 AD 500 . 20	505	505	505	505	66	2.0	13,068
AFC - 60 AD 600 . 20	605	605	605	605	66	2.0	15,155



Redüksiyonlar (Düz)

Reducing Angles

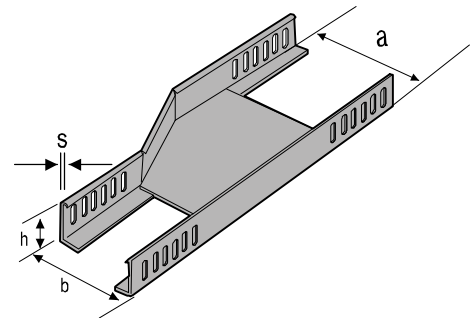
Sipariş No (Order Number)	A (mm)	B (mm)	H (mm)	S (mm)	Ağırlığı (Weight) Kg / Ad
AFC - 60 AR 70 . 15	75	55	66	1.5	1,458
AFC - 60 AR 100 . 15	105	75	66	1.5	1,642
AFC - 60 AR 120 . 15	125	105	66	1.5	1,783
AFC - 60 AR 160 . 15	165	125	66	1.5	2,093
AFC - 60 AR 200 . 15	205	165	66	1.5	2,443
AFC - 60 AR 260 . 15	265	205	66	1.5	3,030
AFC - 60 AR 300 . 20	305	265	66	1.5	4,644
AFC - 60 AR 400 . 20	405	305	66	2.0	6,302
AFC - 60 AR 500 . 20	505	405	66	2.0	8,292
AFC - 60 AR 600 . 20	605	505	66	2.0	10,614



Redüksiyonlar (Sol)

Reducing Angles (Left)

Sipariş No (Order Number)	A (mm)	B (mm)	H (mm)	S (mm)	Ağırlığı (Weight) Kg / Ad
AFC - 60 ARL 70 . 15	75	55	66	1.5	0,758
AFC - 60 ARL 100 . 15	105	75	66	1.5	0,885
AFC - 60 ARL 120 . 15	125	105	66	1.5	0,979
AFC - 60 ARL 160 . 15	165	125	66	1.5	1,200
AFC - 60 ARL 200 . 15	205	165	66	1.5	1,458
AFC - 60 ARL 260 . 15	265	205	66	1.5	1,909
AFC - 60 ARL 300 . 20	305	265	66	1.5	3,033
AFC - 60 ARL 400 . 20	405	305	66	2.0	4,368
AFC - 60 ARL 500 . 20	505	405	66	2.0	6,064
AFC - 60 ARL 600 . 20	605	505	66	2.0	8,087

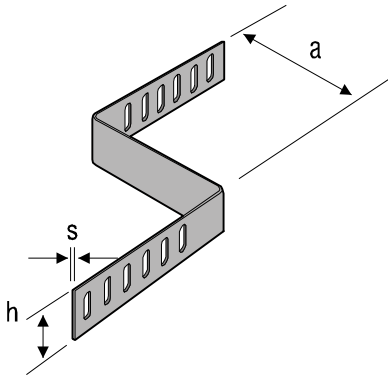
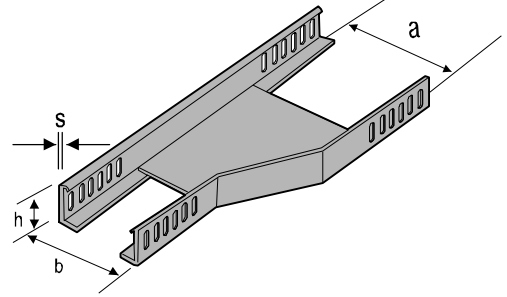




AĞIR HİZMET KABLO KANALLARI H60 HEAVY DUTY CABLE TRAYS H60

Redüksiyonlar (Sağ) Reducing Angles (Right)

Sipariş No (Order Number)	A (mm)	B (mm)	H (mm)	S (mm)	Ağırlığı (Weight) Kg / Ad
AFC - 60 ARR 70 . 15	75	55	66	1.5	0,758
AFC - 60 ARR 100 . 15	105	75	66	1.5	0,885
AFC - 60 ARR 120 . 15	125	105	66	1.5	0,979
AFC - 60 ARR 160 . 15	165	125	66	1.5	1,200
AFC - 60 ARR 200 . 15	205	165	66	1.5	1,458
AFC - 60 ARR 260 . 15	265	205	66	1.5	1,909
AFC - 60 ARR 300 . 20	305	265	66	1.5	3,033
AFC - 60 ARR 400 . 20	405	305	66	2.0	4,368
AFC - 60 ARR 500 . 20	505	405	66	2.0	6,064
AFC - 60 ARR 600 . 20	605	505	66	2.0	8,087

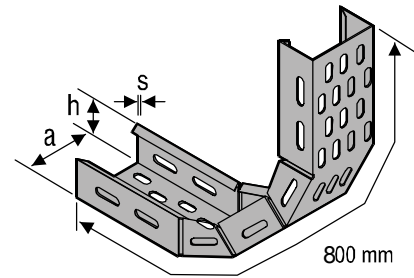


Z Tipi Redüksiyonlar Z Type Reducing Angles

Sipariş No (Order Number)	A (mm)	H (mm)	S (mm)	Ağırlığı (Weight) Kg / Ad
AFC - 60 ZR 25 . 15	25	60	1.5	0,176
AFC - 60 ZR 50 . 15	50	60	1.5	0,194
AFC - 60 ZR 75 . 15	75	60	1.5	0,212
AFC - 60 ZR 100 . 15	100	60	1.5	0,230
AFC - 60 ZR 125 . 15	125	60	1.5	0,248
AFC - 60 ZR 160 . 15	160	60	1.5	0,266
AFC - 60 ZR 200 . 15	200	60	1.5	0,302
AFC - 60 ZR 260 . 20	260	60	2.0	0,450
AFC - 60 ZR 300 . 20	300	60	2.0	0,498
AFC - 60 ZR 350 . 20	350	60	2.0	0,546
AFC - 60 ZR 400 . 20	400	60	2.0	0,594
AFC - 60 ZR 450 . 20	450	60	2.0	0,642
AFC - 60 ZR 500 . 20	500	60	2.0	0,690
AFC - 60 ZR 550 . 20	550	60	2.0	0,738

İç Bükey Dönüşler Vertical Adjustable Bends Inside

Sipariş No (Order Number)	A (mm)	H (mm)	S (mm)	Ağırlığı (Weight) Kg / Ad
AFC - 60 AİB 50 . 15	50	60	1.5	1,638
AFC - 60 AİB 70 . 15	70	60	1.5	1,803
AFC - 60 AİB 100 . 15	100	60	1.5	2,055
AFC - 60 AİB 120 . 15	120	60	1.5	2,219
AFC - 60 AİB 160 . 15	160	60	1.5	2,551
AFC - 60 AİB 200 . 15	200	60	1.5	2,881
AFC - 60 AİB 260 . 15	260	60	1.5	3,403
AFC - 60 AİB 300 . 20	300	60	2.0	4,977
AFC - 60 AİB 400 . 20	400	60	2.0	6,083
AFC - 60 AİB 500 . 20	500	60	2.0	7,222
AFC - 60 AİB 600 . 20	600	60	2.0	8,435

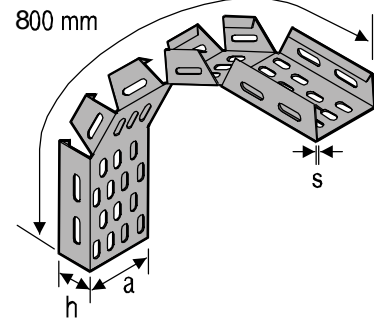




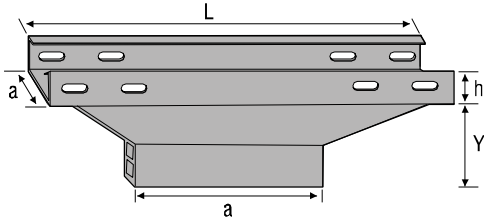
AĞIR HİZMET KABLO KANALLARI H60 HEAVY DUTY CABLE TRAYS H60

Dış Bükey Dönüşler Vertical Adjustable Bends Outside

Sipariş No (Order Number)	A (mm)	H (mm)	S (mm)	Ağırlığı (Weight) Kg / Ad
AFC - 60 ADB 50 . 15	50	60	1.5	1,638
AFC - 60 ADB 70 . 15	70	60	1.5	1,803
AFC - 60 ADB 100 . 15	100	60	1.5	2,055
AFC - 60 ADB 120 . 15	120	60	1.5	2,219
AFC - 60 ADB 160 . 15	160	60	1.5	2,551
AFC - 60 ADB 200 . 15	200	60	1.5	2,881
AFC - 60 ADB 260 . 15	260	60	1.5	3,403
AFC - 60 ADB 300 . 20	300	60	2.0	4,977
AFC - 60 ADB 400 . 20	400	60	2.0	6,083
AFC - 60 ADB 500 . 20	500	60	2.0	7,222
AFC - 60 ADB 600 . 20	600	60	2.0	8,435



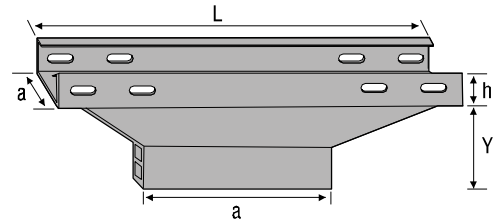
Dikey T Bağlantılar - Ortadan Vertical Tees Middle



Sipariş No (Order Number)	A (mm)	H (mm)	S (mm)	Ağırlığı (Weight) Kg / Ad
AFC - 60 DTO 100 . 15	100	60	1.5	5,021
AFC - 60 DTO 120 . 15	120	60	1.5	5,396
AFC - 60 DTO 160 . 15	160	60	1.5	6,147
AFC - 60 DTO 200 . 15	200	60	1.5	6,898
AFC - 60 DTO 260 . 15	260	60	1.5	8,024
AFC - 60 DTO 300 . 20	300	60	2.0	8,774
AFC - 60 DTO 400 . 20	400	60	2.0	14,202
AFC - 60 DTO 500 . 20	500	60	2.0	16,704
AFC - 60 DTO 600 . 20	600	60	2.0	19,206

Dikey T Bağlantılar - Duvardan Vertical Tees Wall

Sipariş No (Order Number)	A (mm)	H (mm)	S (mm)	Ağırlığı (Weight) Kg / Ad
AFC - 60 DTD 100 . 15	100	60	1.5	5,021
AFC - 60 DTD 120 . 15	120	60	1.5	5,396
AFC - 60 DTD 160 . 15	160	60	1.5	6,147
AFC - 60 DTD 200 . 15	200	60	1.5	6,898
AFC - 60 DTD 260 . 15	260	60	1.5	8,024
AFC - 60 DTD 300 . 20	300	60	2.0	8,774
AFC - 60 DTD 400 . 20	400	60	2.0	14,202
AFC - 60 DTD 500 . 20	500	60	2.0	16,704
AFC - 60 DTD 600 . 20	600	60	2.0	19,206

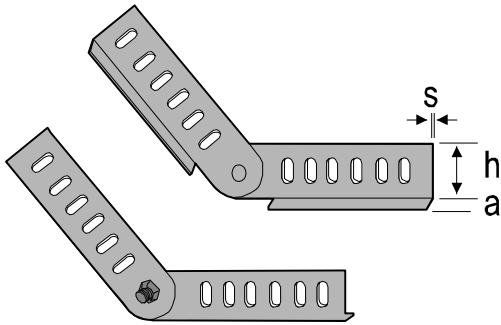
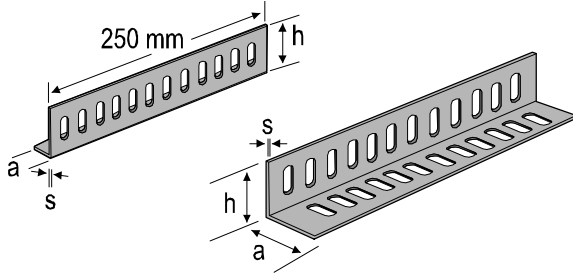
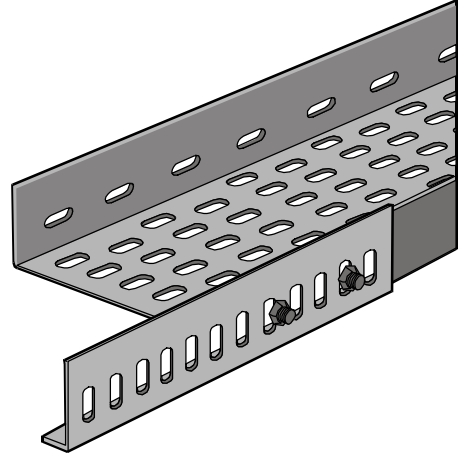




AĞIR HİZMET KABLO KANALLARI H60 HEAVY DUTY CABLE TRAYS H60

Ek Elemanları Staright Connectors

Sipariş No (Order Number)	A (mm)	H (mm)	S (mm)	Ağırlığı (Weight) Kg / Ad
AFC - 60 AE 15 . 15	15	55	1.5	0,171
AFC - 60 AE 15 . 20	15	55	2.0	0,228
AFC - 60 AE 40 . 20	40	55	2.0	0,290



Seviye Değişirme Elemanı Level Change Unit

Sipariş No (Order Number)	A (mm)	H (mm)	S (mm)	Ağırlığı (Weight) Kg / Ad
AFC - 60 SD 15 . 20	15	62	2.0	0,447

Seperatör Separator

Sipariş No (Order Number)	A (mm)	H (mm)	S (mm)	Ağırlığı (Weight) Kg / Mt
AFC - 60 SPK 20 . 15	20	58	1.5	0,917

