



NORMAL TİP KABLO KANALLARI H40

NORMAL TYPE CABLE TRAYS H40

Normal Tip Kablo Kanalı

Normal Type Cable Tray

Sipariş No (Order Number)	A (mm)	H (mm)	S (mm)	Ağırlığı (Weight) Kg / Mt
AFC - 40 N 50 . 10	50	40	1.0	0,867
AFC - 40 N 50 . 12	50	40	1.2	1,040
AFC - 40 N 50 . 15	50	40	1.5	1,300
AFC - 40 N 50 . 20	50	40	2.0	1,734
AFC - 40 N 70 . 10	70	40	1.0	0,987
AFC - 40 N 70 . 12	70	40	1.2	1,184
AFC - 40 N 70 . 15	70	40	1.5	1,480
AFC - 40 N 70 . 20	70	40	2.0	1,974
AFC - 40 N 100 . 10	100	40	1.0	1,192
AFC - 40 N 100 . 12	100	40	1.2	1,430
AFC - 40 N 100 . 15	100	40	1.5	1,788
AFC - 40 N 100 . 20	100	40	2.0	2,384
AFC - 40 N 120 . 10	120	40	1.0	1,305
AFC - 40 N 120 . 12	120	40	1.2	1,566
AFC - 40 N 120 . 15	120	40	1.5	1,958
AFC - 40 N 120 . 20	120	40	2.0	2,611
AFC - 40 N 160 . 12	160	40	1.2	1,870
AFC - 40 N 160 . 15	160	40	1.5	2,337
AFC - 40 N 160 . 20	160	40	2.0	3,116
AFC - 40 N 200 . 12	200	40	1.2	2,162
AFC - 40 N 200 . 15	200	40	1.5	2,703
AFC - 40 N 200 . 20	200	40	2.0	3,604
AFC - 40 N 260 . 15	260	40	1.5	3,304
AFC - 40 N 260 . 20	260	40	2.0	4,406
AFC - 40 N 300 . 15	300	40	1.5	3,618
AFC - 40 N 300 . 20	300	40	2.0	4,823
AFC - 40 N 400 . 15	400	40	1.5	4,532
AFC - 40 N 400 . 20	400	40	2.0	6,043
AFC - 40 N 500 . 20	500	40	2.0	7,263
AFC - 40 N 600 . 20	600	40	2.0	8,482

Yüzey Koruma Yöntemleri

D: Sıcak Daldırma Galvaniz (TS914)
E: Beyaz Elektro Galvaniz (TS149)
S: Sarı Elektro Galvaniz (TS149)
B: Elektrostatik Toz Boya Kodu (R7035)
ALE : Elokssalli Alüminyum

Malzeme Tipleri

P : Pre Galvaniz (TS822)
AL : Alüminyum
304 : Paslanmaz

Malzeme Tipi ve Yüzey Koruma Yöntemini belirtmek için Kod'un sonuna ilgili sembolü ekleyiniz. Örnek: AFC - 40 N 100.10 P

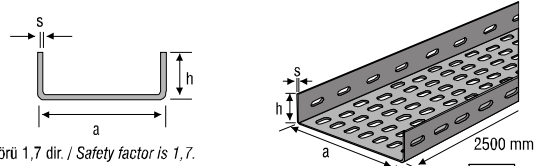
Surface Treatment

D: Hot-Dip Zinc Coating (EN1461)
E: Electrolytic Zinc Coating E=White (DIN50976)
S: Electrolytic Zinc Coating - Yellow (DIN50976)
B: Electro-static Powder Coating (R7035)
ALE : Aluminium Anodized

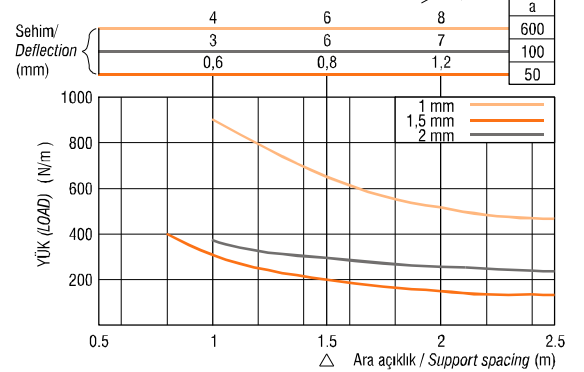
Materials

P : Pre Galvanized (EN10142 / DIN17162)
AL : Aluminium
304 : Stainless Steel
You may order material types and coating specifications with a symbol which put end of the code. Example: AFC - 40 N 100.10 P

maksimum yük kapasiteleri (maximum load capacity)



Emniyet faktörü 1,7 dir. / Safety factor is 1,7.



Yük taşıma kapasiteleri belirlenirken kablo kanallarının N/m olarak ağırlıkları dikkate alınmalıdır. / When determining the load capacities the unit weights (asper N/m) of the cable trays should be considered.
Ek yerleri sistemde herhangi bir yerde olabilir. / Connecting places can be anywhere in the system.
Tavsiye edilen destekler arası maksimum mesafe (max. ara açıklık) 1.5 m dir. / Recommended distance between supports is max 1.5 mt.





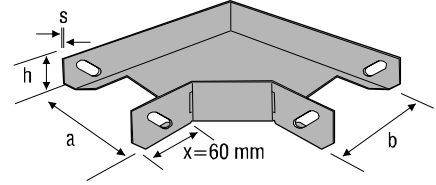
NORMAL TİP KABLO KANALLARI H40

NORMAL TYPE CABLE TRAYS H40

90° Yatay Dönüşler

Horizontal Bends 90°

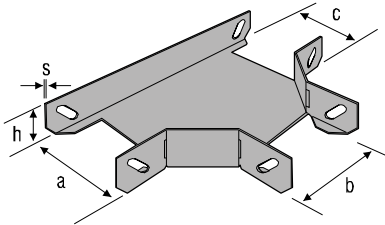
Sipariş No (Order Number)	A (mm)	B (mm)	H (mm)	S (mm)	Ağırlığı (Weight) Kg / Ad
AFC - 40 NK 50 . 15	55	55	42	1.5	0,627
AFC - 40 NK 70 . 15	75	75	42	1.5	0,710
AFC - 40 NK 100 . 15	105	105	42	1.5	0,852
AFC - 40 NK 120 . 15	125	125	42	1.5	0,958
AFC - 40 NK 160 . 15	165	165	42	1.5	1,200
AFC - 40 NK 200 . 15	205	205	42	1.5	1,480
AFC - 40 NK 260 . 15	265	265	42	1.5	1,973
AFC - 40 NK 300 . 20	305	305	42	2.0	3,132
AFC - 40 NK 400 . 20	405	405	42	2.0	4,611
AFC - 40 NK 500 . 20	505	505	42	2.0	6,409
AFC - 40 NK 600 . 20	605	605	42	2.0	8,528



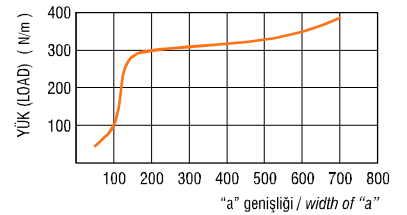
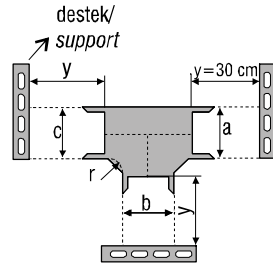
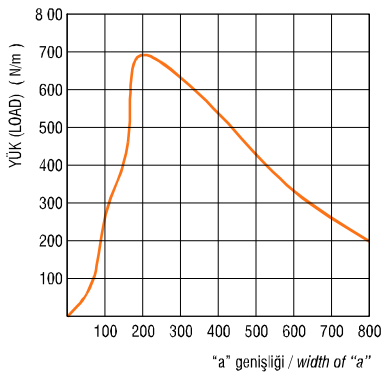
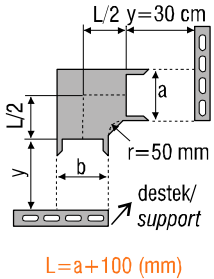
T Dönüşler

Horizontal Tees

Sipariş No (Order Number)	A (mm)	B (mm)	C (mm)	H (mm)	S (mm)	Ağırlığı (Weight) Kg / Ad
AFC - 40 NT 50 . 15	55	55	55	42	1.5	1,277
AFC - 40 NT 70 . 15	75	75	75	42	1.5	1,357
AFC - 40 NT 100 . 15	105	105	105	42	1.5	1,495
AFC - 40 NT 120 . 15	125	125	125	42	1.5	1,628
AFC - 40 NT 160 . 15	165	165	165	42	1.5	1,837
AFC - 40 NT 200 . 15	205	205	205	42	1.5	2,112
AFC - 40 NT 260 . 15	265	265	265	42	1.5	2,597
AFC - 40 NT 300 . 20	305	305	305	42	2.0	3,958
AFC - 40 NT 400 . 20	405	405	405	42	2.0	5,421
AFC - 40 NT 500 . 20	505	505	505	42	2.0	7,203
AFC - 40 NT 600 . 20	605	605	605	42	2.0	9,306



maksimum yük kapasiteleri (maximum load capacity)





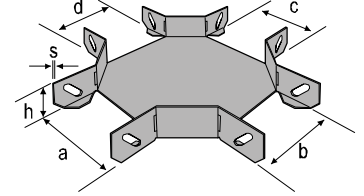
NORMAL TİP KABLO KANALLARI H40

NORMAL TYPE CABLE TRAYS H40

Dörtlü Bağlantılar

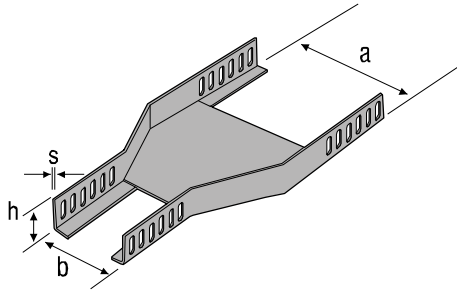
Horizontal Crossings

Sipariş No (Order Number)	A (mm)	B (mm)	C (mm)	D (mm)	H (mm)	S (mm)	Ağırlığı (Weight) Kg / Ad
AFC - 40 ND 50 . 15	55	55	55	55	42	1.5	3,608
AFC - 40 ND 70 . 15	75	75	75	75	42	1.5	3,686
AFC - 40 ND 100 . 15	105	105	105	105	42	1.5	3,820
AFC - 40 ND 120 . 15	125	125	125	125	42	1.5	3,922
AFC - 40 ND 160 . 15	165	165	165	165	42	1.5	4,154
AFC - 40 ND 200 . 15	205	205	205	205	42	1.5	4,425
AFC - 40 ND 260 . 15	265	265	265	265	42	1.5	4,903
AFC - 40 ND 300 . 20	305	305	305	305	42	2.0	7,027
AFC - 40 ND 400 . 20	405	405	405	405	42	2.0	8,473
AFC - 40 ND 500 . 20	505	505	505	505	42	2.0	10,239
AFC - 40 ND 600 . 20	605	605	605	605	42	2.0	12,326



Redüksiyonlar (Düz)

Reducing Angles

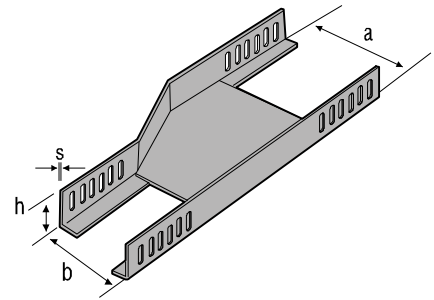


Sipariş No (Order Number)	A (mm)	B (mm)	H (mm)	S (mm)	Ağırlığı (Weight) Kg / Ad
AFC - 40 NR 70 . 15	75	55	42	1.5	0,914
AFC - 40 NR 100 . 15	105	75	42	1.5	1,051
AFC - 40 NR 120 . 15	125	105	42	1.5	1,160
AFC - 40 NR 160 . 15	165	125	42	1.5	1,401
AFC - 40 NR 200 . 15	205	165	42	1.5	1,684
AFC - 40 NR 260 . 15	265	205	42	1.5	2,168
AFC - 40 NR 300 . 20	305	265	42	1.5	3,409
AFC - 40 NR 400 . 20	405	305	42	2.0	4,828
AFC - 40 NR 500 . 20	505	405	42	2.0	6,601
AFC - 40 NR 600 . 20	605	505	42	2.0	8,701

Redüksiyonlar (Sol)

Reducing Angles (Left)

Sipariş No (Order Number)	A (mm)	B (mm)	H (mm)	S (mm)	Ağırlığı (Weight) Kg / Ad
AFC - 40 NRL 70 . 15	75	55	42	1.5	0,486
AFC - 40 NRL 100 . 15	105	75	42	1.5	0,587
AFC - 40 NRL 120 . 15	125	105	42	1.5	0,667
AFC - 40 NRL 160 . 15	165	125	42	1.5	0,852
AFC - 40 NRL 200 . 15	205	165	42	1.5	1,076
AFC - 40 NRL 260 . 15	265	205	42	1.5	1,475
AFC - 40 NRL 300 . 20	305	265	42	1.5	2,412
AFC - 40 NRL 400 . 20	405	305	42	2.0	3,627
AFC - 40 NRL 500 . 20	505	405	42	2.0	5,214
AFC - 40 NRL 600 . 20	605	505	42	2.0	7,125

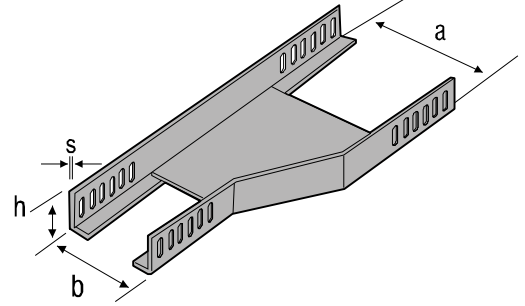




NORMAL TİP KABLO KANALLARI H40 NORMAL TYPE CABLE TRAYS H40

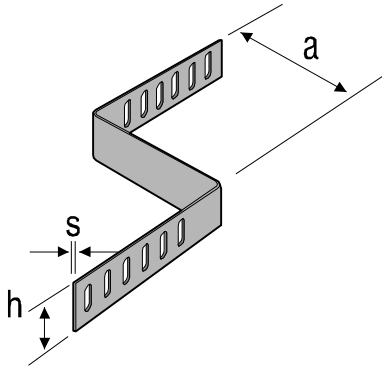
Redüksiyonlar (Sağ) Reducing Angles (Right)

Sipariş No (Order Number)	A (mm)	B (mm)	H (mm)	S (mm)	Ağırlığı (Weight) Kg / Ad
AFC - 40 NRR 70 . 15	75	55	42	1.5	0,486
AFC - 40 NRR 100 . 15	105	75	42	1.5	0,587
AFC - 40 NRR 120 . 15	125	105	42	1.5	0,667
AFC - 40 NRR 160 . 15	165	125	42	1.5	0,852
AFC - 40 NRR 200 . 15	205	165	42	1.5	1,076
AFC - 40 NRR 260 . 15	265	205	42	1.5	1,475
AFC - 40 NRR 300 . 20	305	265	42	1.5	2,412
AFC - 40 NRR 400 . 20	405	305	42	2.0	3,627
AFC - 40 NRR 500 . 20	505	405	42	2.0	5,214
AFC - 40 NRR 600 . 20	605	505	42	2.0	7,125



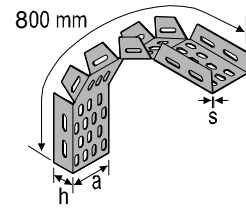
Z Tipi Redüksiyonlar Z Type Reducing Angles

Sipariş No (Order Number)	A (mm)	H (mm)	S (mm)	Ağırlığı (Weight) Kg / Ad
AFC - 40 ZR 25 . 15	25	40	1.5	0,110
AFC - 40 ZR 50 . 15	50	40	1.5	0,122
AFC - 40 ZR 75 . 15	75	40	1.5	0,134
AFC - 40 ZR 100 . 15	100	40	1.5	0,146
AFC - 40 ZR 125 . 15	125	40	1.5	0,158
AFC - 40 ZR 160 . 15	160	40	1.5	0,170
AFC - 40 ZR 200 . 15	200	40	1.5	0,194
AFC - 40 ZR 260 . 20	260	40	2.0	0,290
AFC - 40 ZR 300 . 20	300	40	2.0	0,322
AFC - 40 ZR 350 . 20	350	40	2.0	0,354
AFC - 40 ZR 400 . 20	400	40	2.0	0,386
AFC - 40 ZR 450 . 20	450	40	2.0	0,418
AFC - 40 ZR 500 . 20	500	40	2.0	0,450
AFC - 40 ZR 550 . 20	550	40	2.0	0,482



Dış Bükey Dönüşler Vertical Adjustable Bends Outside

Sipariş No (Order Number)	A (mm)	H (mm)	S (mm)	Ağırlığı (Weight) Kg / Ad
AFC - 40 NDB 50 . 15	50	40	1.5	1,094
AFC - 40 NDB 70 . 15	70	40	1.5	1,268
AFC - 40 NDB 100 . 15	100	40	1.5	1,520
AFC - 40 NDB 120 . 15	120	40	1.5	1,684
AFC - 40 NDB 160 . 15	160	40	1.5	2,016
AFC - 40 NDB 200 . 15	200	40	1.5	2,346
AFC - 40 NDB 260 . 15	260	40	1.5	2,868
AFC - 40 NDB 300 . 20	300	40	2.0	4,265
AFC - 40 NDB 400 . 20	400	40	2.0	5,371
AFC - 40 NDB 500 . 20	500	40	2.0	6,509
AFC - 40 NDB 600 . 20	600	40	2.0	7,722





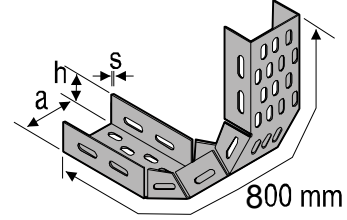
NORMAL TİP KABLO KANALLARI H40

NORMAL TYPE CABLE TRAYS H40

İç Bükey Dönüşler

Vertical Adjustable Bends Inside

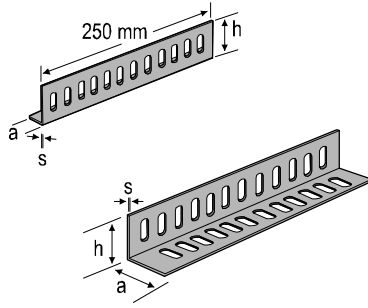
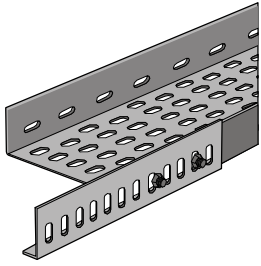
Sipariş No (Order Number)	A (mm)	H (mm)	S (mm)	Ağırlığı (Weight) Kg / Ad
AFC - 40 NİB 50 . 15	50	40	1.5	1,094
AFC - 40 NİB 70 . 15	70	40	1.5	1,268
AFC - 40 NİB 100 . 15	100	40	1.5	1,520
AFC - 40 NİB 120 . 15	120	40	1.5	1,684
AFC - 40 NİB 160 . 15	160	40	1.5	2,016
AFC - 40 NİB 200 . 15	200	40	1.5	2,346
AFC - 40 NİB 260 . 15	260	40	1.5	2,868
AFC - 40 NİB 300 . 20	300	40	2.0	4,265
AFC - 40 NİB 400 . 20	400	40	2.0	5,371
AFC - 40 NİB 500 . 20	500	40	2.0	6,509
AFC - 40 NİB 600 . 20	600	40	2.0	7,722



Ek Elemanları

Staright Connectors

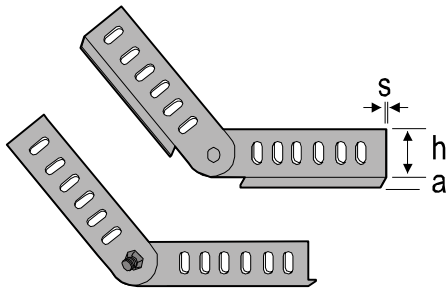
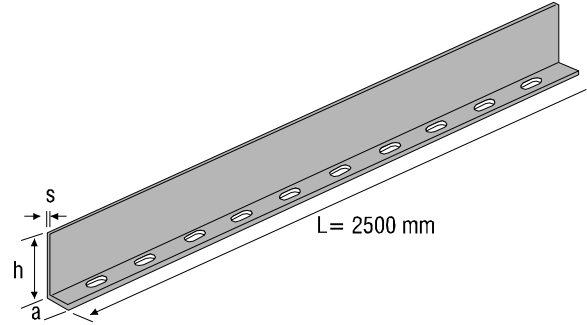
Sipariş No (Order Number)	A (mm)	H (mm)	S (mm)	Ağırlığı (Weight) Kg / Ad
AFC - 40 NE 15 . 15	15	42	1.5	0,143
AFC - 40 NE 15 . 20	15	42	2.0	0,191
AFC - 40 NE 40 . 20	40	42	2.0	0,265



Seperatör

Seperator

Sipariş No (Order Number)	A (mm)	H (mm)	S (mm)	Ağırlığı (Weight) Kg / Mt
AFC - 40 SPK 20 . 15	20	38	1.5	0,677



Seviye Değişirme Elemanı

Level Change Unit

Sipariş No (Order Number)	A (mm)	H (mm)	S (mm)	Ağırlığı (Weight) Kg / Ad
AFC - 40 SD 15 . 20	15	42	2.0	0,327