



AĞIR HİZMET KABLO KANALLARI H40 HEAVY DUTY CABLE TRAYS H40

Ağır Hizmet Kablo Kanalları Heavy Duty Cable Trays

Sipariş No (Order Number)	A (mm)	H (mm)	S (mm)	Ağırlığı (Weight) Kg / Mt
AFC - 40 A 50 . 10	50	40	1.0	1,039
AFC - 40 A 50 . 12	50	40	1.2	1,247
AFC - 40 A 50 . 15	50	40	1.5	1,559
AFC - 40 A 50 . 20	50	40	2.0	2,079
AFC - 40 A 70 . 10	70	40	1.0	1,159
AFC - 40 A 70 . 12	70	40	1.2	1,391
AFC - 40 A 70 . 15	70	40	1.5	1,739
AFC - 40 A 70 . 20	70	40	2.0	2,319
AFC - 40 A 100 . 10	100	40	1.0	1,342
AFC - 40 A 100 . 12	100	40	1.2	1,611
AFC - 40 A 100 . 15	100	40	1.5	2,013
AFC - 40 A 100 . 20	100	40	2.0	2,685
AFC - 40 A 120 . 10	120	40	1.0	1,462
AFC - 40 A 120 . 12	120	40	1.2	1,755
AFC - 40 A 120 . 15	120	40	1.5	2,193
AFC - 40 A 120 . 20	120	40	2.0	2,925
AFC - 40 A 160 . 12	160	40	1.2	2,058
AFC - 40 A 160 . 15	160	40	1.5	2,572
AFC - 40 A 160 . 20	160	40	2.0	3,430
AFC - 40 A 200 . 12	200	40	1.2	2,351
AFC - 40 A 200 . 15	200	40	1.5	2,938
AFC - 40 A 200 . 20	200	40	2.0	3,918
AFC - 40 A 260 . 12	260	40	1.2	2,832
AFC - 40 A 260 . 15	260	40	1.5	3,540
AFC - 40 A 260 . 20	260	40	2.0	4,720
AFC - 40 A 300 . 15	300	40	1.5	3,853
AFC - 40 A 300 . 20	300	40	2.0	5,137
AFC - 40 A 400 . 15	400	40	1.5	4,744
AFC - 40 A 400 . 20	400	40	2.0	6,326
AFC - 40 A 500 . 20	500	40	2.0	7,545
AFC - 40 A 600 . 20	600	40	2.0	8,765

Yüzey Koruma Yöntemleri

D: Sıcak Daldırma Galvaniz (TS914)
E: Beyaz Elektro Galvaniz (TS149)
S: Sarı Elektro Galvaniz (TS149)
B: Elektrostatik Toz Boya Kodu (R7035)
ALE : Eloksalli Alüminyum

Malzeme Tipleri

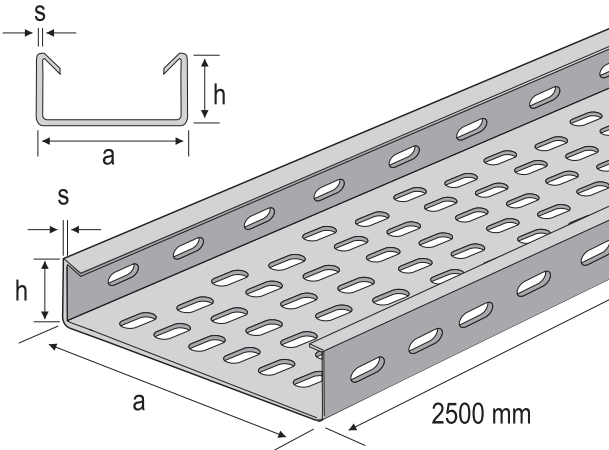
P : Pre Galvaniz (TS822)
AL : Alüminyum
304 : Paslanmaz
Malzeme Tipi ve Yüzey Koruma Yöntemini belirtmek için Kod'un sonuna ilgili sembolü ekleyiniz. Örnek: AFC - 40 A 100.10 P

Surface Treatment

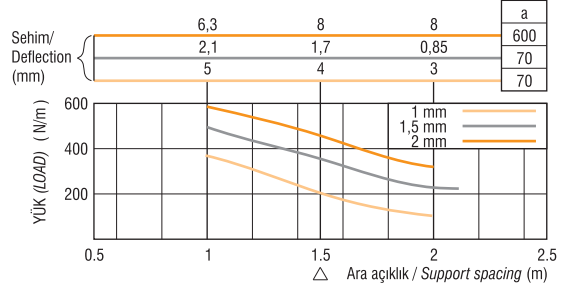
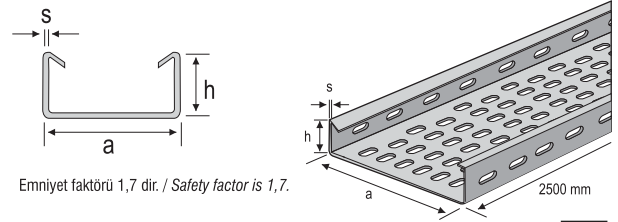
D: Hot-Dip Zinc Coating (EN1461)
E: Electrolytic Zinc Coating E=White (DIN50976)
S: Electrolytic Zinc Coating - Yellow (DIN50976)
B: Electro-static Powder Coating (R7035)
ALE : Aluminium Anodized

Materials

P : Pre Galvanized (EN10142 / DIN17162)
AL : Aluminium
304 : Stainless Steel
You may order material types and coating specifications with a symbol which put end of the code. Example: AFC - 40 A 100.10 P



maksimum yük kapasiteleri (maximum load capacity)



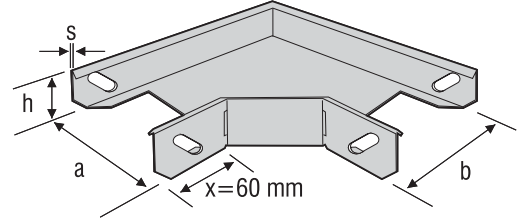
Yük taşıma kapasiteleri belirlenirken kablo kanallarının N/m olarak ağırlıkları dikkate alınmalıdır. /
When determining the load capacities the unit weights (asper N/m) of the cable trays should be considered.
Ek yerleri sistemde herhangi bir yerde olabilir. / Connecting places can be anywhere in the system.
Tavsiye edilen destekler arası maksimum mesafe (max. ara açıklık) 1.5 m dir. /
Recommended distance between supports is max 1.5 mt.



AĞIR HİZMET KABLO KANALLARI H40 HEAVY DUTY CABLE TRAYS H40

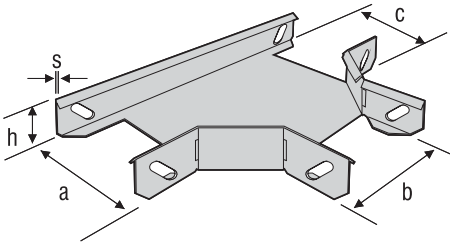
90° Yatay Dönüşler Horizontal Bends 90°

Sipariş No (Order Number)	A (mm)	B (mm)	H (mm)	S (mm)	Ağırlığı (Weight) Kg / Ad
AFC - 40 AK 50 . 15	55	55	46	1.5	0,766
AFC - 40 AK 70 . 15	75	75	46	1.5	0,856
AFC - 40 AK 100 . 15	105	105	46	1.5	1,008
AFC - 40 AK 120 . 15	125	125	46	1.5	1,122
AFC - 40 AK 160 . 15	165	165	46	1.5	1,450
AFC - 40 AK 200 . 15	205	205	46	1.5	1,673
AFC - 40 AK 260 . 15	265	265	46	1.5	2,169
AFC - 40 AK 300 . 20	305	305	46	2.0	3,437
AFC - 40 AK 400 . 20	405	405	46	2.0	4,964
AFC - 40 AK 500 . 20	505	505	46	2.0	6,810
AFC - 40 AK 600 . 20	605	605	46	2.0	8,976

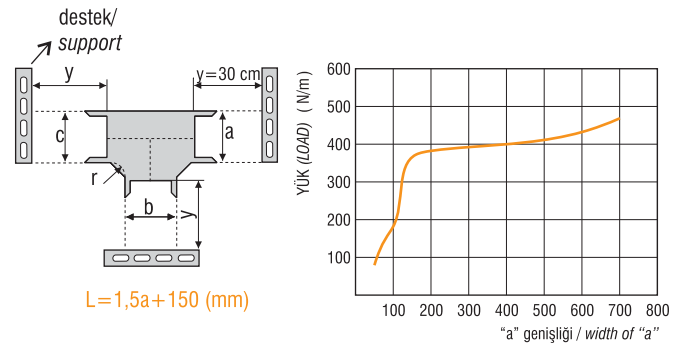
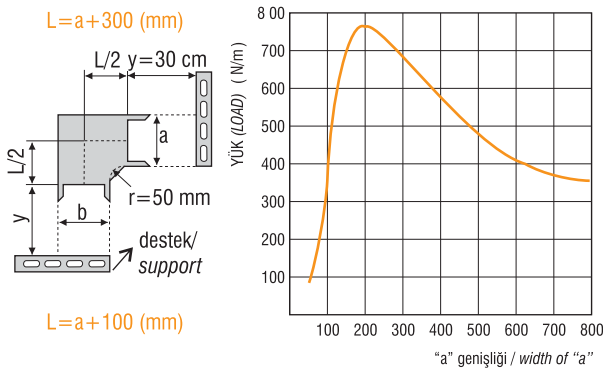


T Dönüşler Horizontal Tees

Sipariş No (Order Number)	A (mm)	B (mm)	C (mm)	H (mm)	S (mm)	Ağırlığı (Weight) Kg / Ad
AFC - 40 AT 50 . 15	55	55	55	46	1.5	1,572
AFC - 40 AT 70 . 15	75	75	75	46	1.5	1,656
AFC - 40 AT 100 . 15	105	105	105	46	1.5	1,799
AFC - 40 AT 120 . 15	125	125	125	46	1.5	1,943
AFC - 40 AT 160 . 15	165	165	165	46	1.5	2,143
AFC - 40 AT 200 . 15	205	205	205	46	1.5	2,434
AFC - 40 AT 260 . 15	265	265	265	46	1.5	2,921
AFC - 40 AT 300 . 20	305	305	305	46	2.0	4,412
AFC - 40 AT 400 . 20	405	405	405	46	2.0	5,898
AFC - 40 AT 500 . 20	505	505	505	46	2.0	7,705
AFC - 40 AT 600 . 20	605	605	605	46	2.0	9,831



maksimum yük kapasiteleri (maximum load capacity)



Yükler uygulanırken L boyu dikkate alınmalıdır. / The length of L should be considered while loading.
Yük uniform yayılı yükür. / Load distribution is assumed to be uniform.
Emniyet faktörü 1,7 dir. / Safety factor is 1,7.

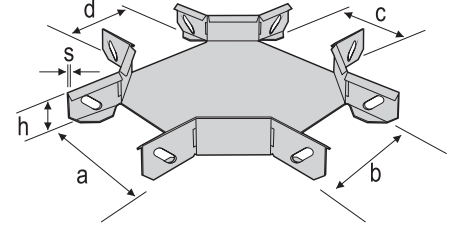




AĞIR HİZMET KABLO KANALLARI H40 HEAVY DUTY CABLE TRAYS H40

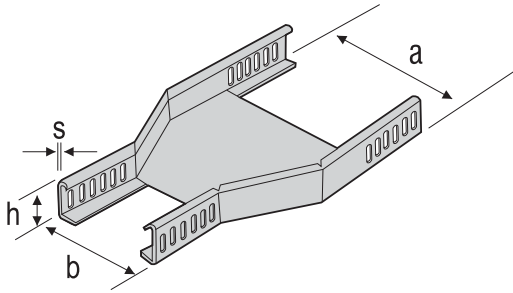
Dörtlü Bağlantılar Horizontal Crossings

Sipariş No (Order Number)	A (mm)	B (mm)	C (mm)	D (mm)	H (mm)	S (mm)	Ağırlığı (Weight) Kg / Ad
AFC - 40 AD 50 . 15	55	55	55	55	46	1.5	4,501
AFC - 40 AD 70 . 15	75	75	75	75	46	1.5	4,579
AFC - 40 AD 100 . 15	105	105	105	105	46	1.5	4,713
AFC - 40 AD 120 . 15	125	125	125	125	46	1.5	4,815
AFC - 40 AD 160 . 15	165	165	165	165	46	1.5	5,047
AFC - 40 AD 200 . 15	205	205	205	205	46	1.5	5,318
AFC - 40 AD 260 . 15	265	265	265	265	46	1.5	5,796
AFC - 40 AD 300 . 20	305	305	305	305	46	2.0	8,217
AFC - 40 AD 400 . 20	405	405	405	405	46	2.0	9,663
AFC - 40 AD 500 . 20	505	505	505	505	46	2.0	11,430
AFC - 40 AD 600 . 20	605	605	605	605	46	2.0	13,516



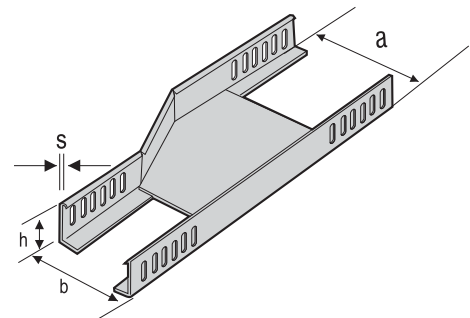
Redüksiyonlar (Düz) Reducing Angles

Sipariş No (Order Number)	A (mm)	B (mm)	H (mm)	S (mm)	Ağırlığı (Weight) Kg / Ad
AFC - 40 AR 70 . 15	75	55	46	1.5	1,147
AFC - 40 AR 100 . 15	105	75	46	1.5	1,304
AFC - 40 AR 120 . 15	125	105	46	1.5	1,427
AFC - 40 AR 160 . 15	165	125	46	1.5	1,697
AFC - 40 AR 200 . 15	205	165	46	1.5	2,009
AFC - 40 AR 260 . 15	265	205	46	1.5	2,537
AFC - 40 AR 300 . 20	305	265	46	1.5	3,938
AFC - 40 AR 400 . 20	405	305	46	2.0	5,460
AFC - 40 AR 500 . 20	505	405	46	2.0	7,325
AFC - 40 AR 600 . 20	605	505	46	2.0	9,521



Redüksiyonlar (Sol) Reducing Angles (Left)

Sipariş No (Order Number)	A (mm)	B (mm)	H (mm)	S (mm)	Ağırlığı (Weight) Kg / Ad
AFC - 40 ARL 70 . 15	75	55	46	1.5	0,602
AFC - 40 ARL 100 . 15	105	75	46	1.5	0,715
AFC - 40 ARL 120 . 15	125	105	46	1.5	0,801
AFC - 40 ARL 160 . 15	165	125	46	1.5	1,001
AFC - 40 ARL 200 . 15	205	165	46	1.5	1,240
AFC - 40 ARL 260 . 15	265	205	46	1.5	1,661
AFC - 40 ARL 300 . 20	305	265	46	1.5	2,678
AFC - 40 ARL 400 . 20	405	305	46	2.0	3,944
AFC - 40 ARL 500 . 20	505	405	46	2.0	5,578
AFC - 40 ARL 600 . 20	605	505	46	2.0	7,537

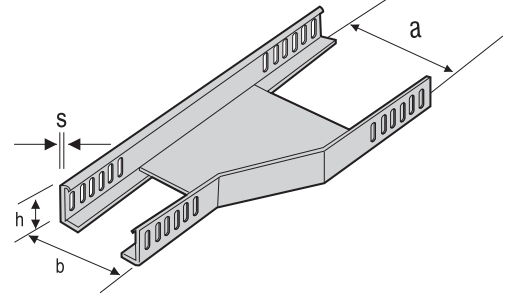




AĞIR HİZMET KABLO KANALLARI H40 HEAVY DUTY CABLE TRAYS H40

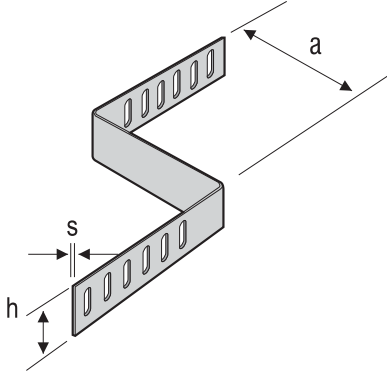
Redüksiyonlar (Sağ) Reducing Angles (Right)

Sipariş No (Order Number)	A (mm)	B (mm)	H (mm)	S (mm)	Ağırlığı (Weight) Kg / Ad
AFC - 40 ARR 70 . 15	75	55	46	1.5	0,602
AFC - 40 ARR 100 . 15	105	75	46	1.5	0,715
AFC - 40 ARR 120 . 15	125	105	46	1.5	0,801
AFC - 40 ARR 160 . 15	165	125	46	1.5	1,001
AFC - 40 ARR 200 . 15	205	165	46	1.5	1,240
AFC - 40 ARR 260 . 15	265	205	46	1.5	1,661
AFC - 40 ARR 300 . 20	305	265	46	1.5	2,678
AFC - 40 ARR 400 . 20	405	305	46	2.0	3,944
AFC - 40 ARR 500 . 20	505	405	46	2.0	5,578
AFC - 40 ARR 600 . 20	605	505	46	2.0	7,537



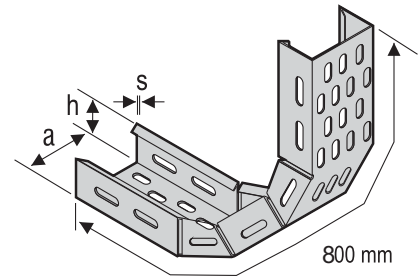
Z Tipi Redüksiyonlar Z Type Reducing Angles

Sipariş No (Order Number)	A (mm)	H (mm)	S (mm)	Ağırlığı (Weight) Kg / Ad
AFC - 40 ZR 25 . 15	25	40	1.5	0,110
AFC - 40 ZR 50 . 15	50	40	1.5	0,122
AFC - 40 ZR 75 . 15	75	40	1.5	0,134
AFC - 40 ZR 100 . 15	100	40	1.5	0,146
AFC - 40 ZR 125 . 15	125	40	1.5	0,158
AFC - 40 ZR 160 . 15	160	40	1.5	0,170
AFC - 40 ZR 200 . 15	200	40	1.5	0,194
AFC - 40 ZR 260 . 20	260	40	2.0	0,290
AFC - 40 ZR 300 . 20	300	40	2.0	0,322
AFC - 40 ZR 350 . 20	350	40	2.0	0,354
AFC - 40 ZR 400 . 20	400	40	2.0	0,386
AFC - 40 ZR 450 . 20	450	40	2.0	0,418
AFC - 40 ZR 500 . 20	500	40	2.0	0,450
AFC - 40 ZR 550 . 20	550	40	2.0	0,482



İç Bükey Dönüşler Vertical Adjustable Bends Inside

Sipariş No (Order Number)	A (mm)	H (mm)	S (mm)	Ağırlığı (Weight) Kg / Ad
AFC - 40 AİB 50 . 15	50	40	1.5	1,284
AFC - 40 AİB 70 . 15	70	40	1.5	1,448
AFC - 40 AİB 100 . 15	100	40	1.5	1,700
AFC - 40 AİB 120 . 15	120	40	1.5	1,864
AFC - 40 AİB 160 . 15	160	40	1.5	2,196
AFC - 40 AİB 200 . 15	200	40	1.5	2,526
AFC - 40 AİB 260 . 15	260	40	1.5	3,048
AFC - 40 AİB 300 . 20	300	40	2.0	4,505
AFC - 40 AİB 400 . 20	400	40	2.0	5,611
AFC - 40 AİB 500 . 20	500	40	2.0	6,749
AFC - 40 AİB 600 . 20	600	40	2.0	7,962

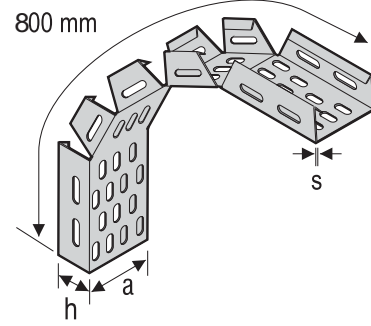




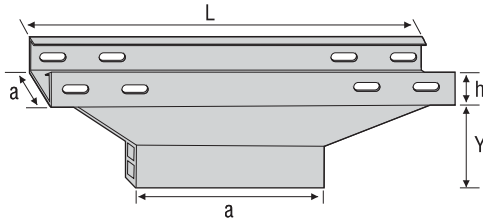
AĞIR HİZMET KABLO KANALLARI H40 HEAVY DUTY CABLE TRAYS H40

Dış Bükey Dönüşler Vertical Adjustable Bends Outside

Sipariş No (Order Number)	A (mm)	H (mm)	S (mm)	Ağırlığı (Weight) Kg / Ad
AFC - 40 ADB 50 . 15	50	40	1.5	1,284
AFC - 40 ADB 70 . 15	70	40	1.5	1,448
AFC - 40 ADB 100 . 15	100	40	1.5	1,700
AFC - 40 ADB 120 . 15	120	40	1.5	1,864
AFC - 40 ADB 160 . 15	160	40	1.5	2,196
AFC - 40 ADB 200 . 15	200	40	1.5	2,526
AFC - 40 ADB 260 . 15	260	40	1.5	3,048
AFC - 40 ADB 300 . 20	300	40	2.0	4,505
AFC - 40 ADB 400 . 20	400	40	2.0	5,611
AFC - 40 ADB 500 . 20	500	40	2.0	6,749
AFC - 40 ADB 600 . 20	600	40	2.0	7,962



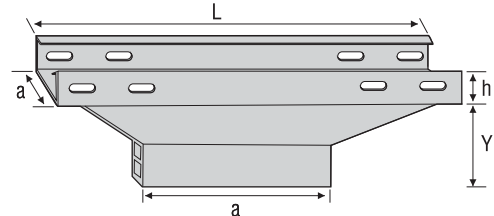
Dikey T Bağlantılar - Ortadan Vertical Tees Middle



Sipariş No (Order Number)	A (mm)	H (mm)	S (mm)	Ağırlığı (Weight) Kg / Ad
AFC - 40 DTO 100 . 15	100	40	1.5	4,663
AFC - 40 DTO 120 . 15	120	40	1.5	5,039
AFC - 40 DTO 160 . 15	160	40	1.5	5,789
AFC - 40 DTO 200 . 15	200	40	1.5	6,540
AFC - 40 DTO 260 . 15	260	40	1.5	7,666
AFC - 40 DTO 300 . 20	300	40	2.0	8,417
AFC - 40 DTO 400 . 20	400	40	2.0	13,725
AFC - 40 DTO 500 . 20	500	40	2.0	16,227
AFC - 40 DTO 600 . 20	600	40	2.0	18,705

Dikey T Bağlantılar - Duvardan Vertical Tees Wall

Sipariş No (Order Number)	A (mm)	H (mm)	S (mm)	Ağırlığı (Weight) Kg / Ad
AFC - 40 DTD 100 . 15	100	40	1.5	4,663
AFC - 40 DTD 120 . 15	120	40	1.5	5,039
AFC - 40 DTD 160 . 15	160	40	1.5	5,789
AFC - 40 DTD 200 . 15	200	40	1.5	6,540
AFC - 40 DTD 260 . 15	260	40	1.5	7,666
AFC - 40 DTD 300 . 20	300	40	2.0	8,417
AFC - 40 DTD 400 . 20	400	40	2.0	13,725
AFC - 40 DTD 500 . 20	500	40	2.0	16,227
AFC - 40 DTD 600 . 20	600	40	2.0	18,705

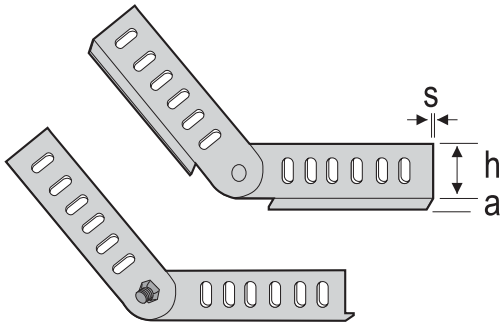
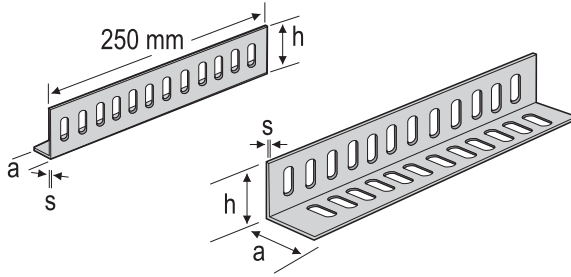
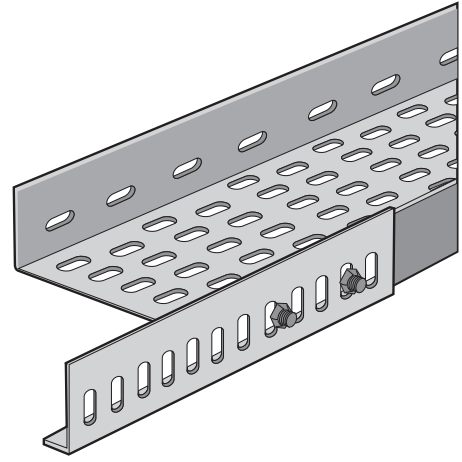




AĞIR HİZMET KABLO KANALLARI H40 HEAVY DUTY CABLE TRAYS H40

Ek Elemanları Staright Connectors

Sipariş No (Order Number)	A (mm)	H (mm)	S (mm)	Ağırlığı (Weight) Kg / Ad
AFC - 40 AE 15 . 15	15	35	1.5	0,116
AFC - 40 AE 15 . 20	15	35	2.0	0,154
AFC - 40 AE 40 . 20	40	35	2.0	0,246



Seviye Değişirme Elemanı Level Change Unit

Sipariş No (Order Number)	A (mm)	H (mm)	S (mm)	Ağırlığı (Weight) Kg / Ad
AFC - 40 SD 15 . 20	15	42	2.0	0,377

Seperatör Seperator

Sipariş No (Order Number)	A (mm)	H (mm)	S (mm)	Ağırlığı (Weight) Kg / Mt
AFC - 40 SPK 20 . 15	20	38	1.5	0,677

