



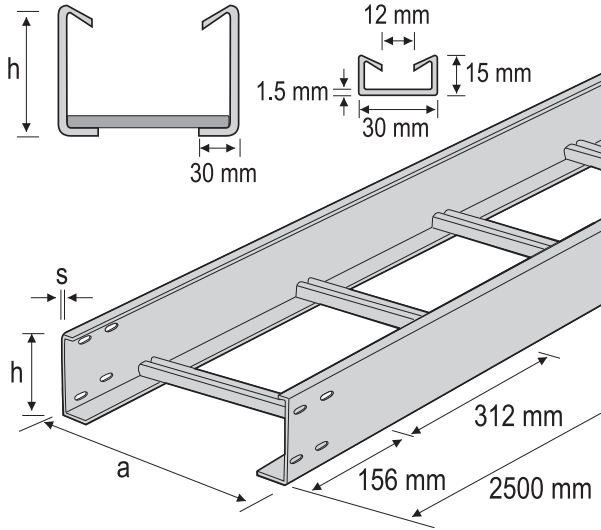
KABLO MERDİVENİ H100

CABLE LADDERS H100

Kablo Merdivenleri

Cable Ladders

Sipariş No (Order Number)	A (mm)	H (mm)	S (mm)	Ağırlığı (Weight) Kg / Mt
AFC - 100 M 100 . 20	100	100	2.0	4,355
AFC - 100 M 160 . 20	160	100	2.0	4,468
AFC - 100 M 200 . 20	200	100	2.0	4,548
AFC - 100 M 260 . 20	260	100	2.0	4,661
AFC - 100 M 300 . 20	300	100	2.0	4,741
AFC - 100 M 400 . 20	400	100	2.0	4,937
AFC - 100 M 500 . 20	500	100	2.0	5,127
AFC - 100 M 600 . 20	600	100	2.0	5,319



Yüzey Koruma Yöntemleri

D: Sıcak Daldırma Galvaniz (TS914)
E: Beyaz Elektro Galvaniz (TS149)
S: Sarı Elektro Galvaniz (TS149)
B: Elektrostatik Toz Boya Kodu (R7035)
ALE : Eloksalli Alüminyum

Malzeme Tipleri

P : Pre Galvaniz (TS822)
AL : Alüminyum
304 : Paslanmaz

Malzeme Tipi ve Yüzey Koruma Yöntemini belirtmek için Kod'un sonuna ilgili sembolü ekleyiniz. Örnek: AFC - 100 M 100.20 P

Surface Treatment

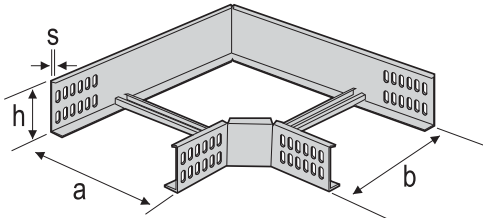
D: Hot-Dip Zinc Coating (EN11061)
E: Electrolytic Zinc Coating E=White (DIN50976)
S: Electrolytic Zinc Coating - Yellow (DIN50976)
B: Electro-static Powder Coating (R7035)
ALE : Aluminium Anodized

Materials

P : Pre Galvanized (EN10142 / DIN17162)
AL : Aluminium
304 : Stainless Steel
You may order material types and coating specifications with a symbol which put end of the code. Example: AFC - 100 M 100.20 P

90° Yatay Dönüşler

Horizontal Bends 90°

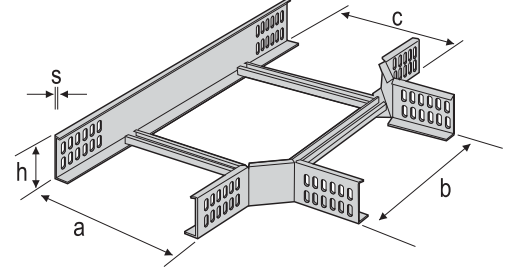


Sipariş No (Order Number)	A (mm)	B (mm)	H (mm)	S (mm)	Ağırlığı (Weight) Kg / Ad
AFC - 100 MK 100 . 15	105	105	106	1.5	1,902
AFC - 100 MK 160 . 15	165	165	106	1.5	2,427
AFC - 100 MK 200 . 15	205	205	106	1.5	2,791
AFC - 100 MK 260 . 15	265	265	106	1.5	3,281
AFC - 100 MK 300 . 20	305	305	106	2.0	3,680
AFC - 100 MK 400 . 20	405	405	106	2.0	5,401
AFC - 100 MK 500 . 20	505	505	106	2.0	6,395
AFC - 100 MK 600 . 20	605	605	106	2.0	7,293

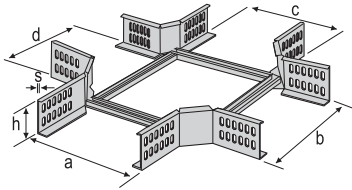


T Dönüşler Horizontal Tees

Sipariş No (Order Number)	A (mm)	B (mm)	C (mm)	H (mm)	S (mm)	Ağırlığı (Weight) Kg / Ad
AFC - 100 MT 100 . 15	105	105	105	106	1.5	3,638
AFC - 100 MT 160 . 15	165	165	165	106	1.5	4,158
AFC - 100 MT 200 . 15	205	205	205	106	1.5	4,593
AFC - 100 MT 260 . 15	265	265	265	106	1.5	5,113
AFC - 100 MT 300 . 20	305	305	305	106	2.0	5,653
AFC - 100 MT 400 . 20	405	405	405	106	2.0	7,722
AFC - 100 MT 500 . 20	505	505	505	106	2.0	8,725
AFC - 100 MT 600 . 20	605	605	605	106	2.0	9,738



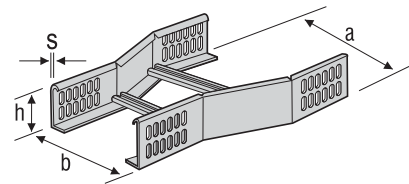
Dörtlü Bağlantılar Horizontal Crossings



Sipariş No (Order Number)	A (mm)	B (mm)	C (mm)	D (mm)	H (mm)	S (mm)	Ağırlığı (Weight) Kg / Ad
AFC - 100 MD 100 . 15	105	105	105	105	106	1.5	9,028
AFC - 100 MD 160 . 15	165	165	165	165	106	1.5	9,721
AFC - 100 MD 200 . 15	205	205	205	205	106	1.5	10,221
AFC - 100 MD 260 . 15	265	265	265	265	106	1.5	10,932
AFC - 100 MD 300 . 20	305	305	305	305	106	2.0	11,427
AFC - 100 MD 400 . 20	405	405	405	405	106	2.0	15,214
AFC - 100 MD 500 . 20	505	505	505	505	106	2.0	16,397
AFC - 100 MD 600 . 20	605	605	605	605	106	2.0	17,599

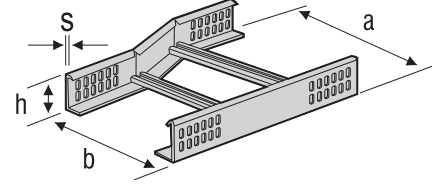
Redüksiyonlar (Düz) Reducing Angles

Sipariş No (Order Number)	A (mm)	B (mm)	H (mm)	S (mm)	Ağırlığı (Weight) Kg / Ad
AFC - 100 MR 160 . 15	165	125	106	1.5	4,299
AFC - 100 MR 200 . 15	205	165	106	1.5	4,270
AFC - 100 MR 260 . 15	265	205	106	1.5	4,330
AFC - 100 MR 300 . 15	305	265	106	1.5	5,746
AFC - 100 MR 400 . 20	405	305	106	2.0	5,833
AFC - 100 MR 500 . 20	505	405	106	2.0	5,953
AFC - 100 MR 600 . 20	605	505	106	2.0	6,072



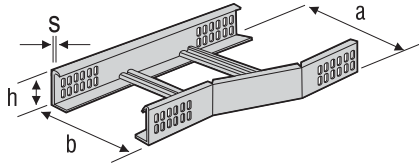
Redüksiyonlar (Sol)
Reducing Angles (Left)

Sipariş No (Order Number)	A (mm)	B (mm)	H (mm)	S (mm)	Ağırlığı (Weight) Kg / Ad
AFC - 100 MRL 160 . 15	165	125	106	1.5	2,184
AFC - 100 MRL 200 . 15	205	165	106	1.5	2,244
AFC - 100 MRL 260 . 15	265	205	106	1.5	2,304
AFC - 100 MRL 300 . 20	305	265	106	2.0	3,045
AFC - 100 MRL 400 . 20	405	305	106	2.0	3,132
AFC - 100 MRL 500 . 20	505	405	106	2.0	3,252
AFC - 100 MRL 600 . 20	605	505	106	2.0	3,371



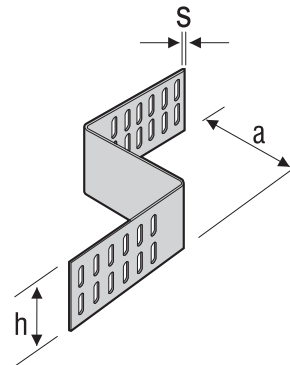
Redüksiyonlar (Sağ)
Reducing Angles (Right)

Sipariş No (Order Number)	A (mm)	B (mm)	H (mm)	S (mm)	Ağırlığı (Weight) Kg / Ad
AFC - 100 MRR 160 . 15	165	125	106	1.5	2,184
AFC - 100 MRR 200 . 15	205	165	106	1.5	2,244
AFC - 100 MRR 260 . 15	265	205	106	1.5	2,304
AFC - 100 MRR 300 . 15	305	265	106	1.5	3,045
AFC - 100 MRR 400 . 20	405	305	106	2.0	3,132
AFC - 100 MRR 500 . 20	505	405	106	2.0	3,252
AFC - 100 MRR 600 . 20	605	505	106	2.0	3,371



Z Tipi Redüksiyonlar
Z Type Reducing Angles

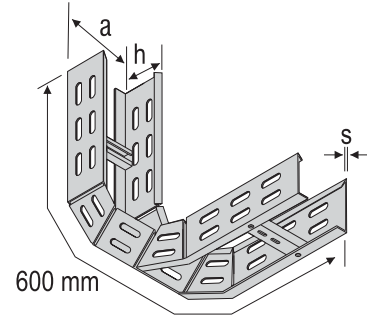
Sipariş No (Order Number)	A (mm)	H (mm)	S (mm)	Ağırlığı (Weight) Kg / Ad
AFC - 100 ZR 25 . 15	25	95	1.5	0,308
AFC - 100 ZR 50 . 15	50	95	1.5	0,338
AFC - 100 ZR 75 . 15	75	95	1.5	0,368
AFC - 100 ZR 100 . 15	100	95	1.5	0,398
AFC - 100 ZR 125 . 15	125	95	1.5	0,428
AFC - 100 ZR 160 . 15	160	95	1.5	0,458
AFC - 100 ZR 200 . 15	200	95	1.5	0,518
AFC - 100 ZR 260 . 20	260	95	2.0	0,770
AFC - 100 ZR 300 . 20	300	95	2.0	0,850
AFC - 100 ZR 350 . 20	350	95	2.0	0,930
AFC - 100 ZR 400 . 20	400	95	2.0	1,010
AFC - 100 ZR 450 . 20	450	95	2.0	1,090
AFC - 100 ZR 500 . 20	500	95	2.0	1,170
AFC - 100 ZR 550 . 20	550	95	2.0	1,250



İç Bükey Dönüşler

Vertical Adjustable Bends Inside

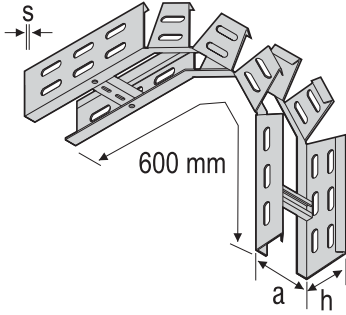
Sipariş No (Order Number)	A (mm)	H (mm)	S (mm)	Ağırlığı (Weight) Kg / Ad
AFC - 100 MİB 100 . 20	100	100	2.0	5,813
AFC - 100 MİB 160 . 20	160	100	2.0	6,130
AFC - 100 MİB 200 . 20	200	100	2.0	6,354
AFC - 100 MİB 260 . 20	260	100	2.0	6,670
AFC - 100 MİB 300 . 20	300	100	2.0	6,895
AFC - 100 MİB 400 . 20	400	100	2.0	7,446
AFC - 100 MİB 500 . 20	500	100	2.0	7,977
AFC - 100 MİB 600 . 20	600	100	2.0	8,518



Dış Bükey Dönüşler

Vertical Adjustable Bends Outside

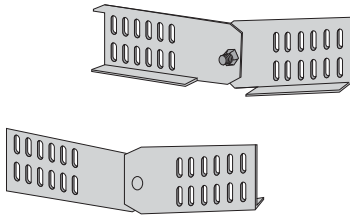
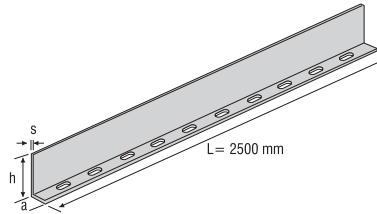
Sipariş No (Order Number)	A (mm)	H (mm)	S (mm)	Ağırlığı (Weight) Kg / Ad
AFC - 100 MDB 100 . 20	100	100	2.0	5,813
AFC - 100 MDB 160 . 20	160	100	2.0	6,130
AFC - 100 MDB 200 . 20	200	100	2.0	6,354
AFC - 100 MDB 260 . 20	260	100	2.0	6,670
AFC - 100 MDB 300 . 20	300	100	2.0	6,895
AFC - 100 MDB 400 . 20	400	100	2.0	7,446
AFC - 100 MDB 500 . 20	500	100	2.0	7,977
AFC - 100 MDB 600 . 20	600	100	2.0	8,518



Seperatör

Separator

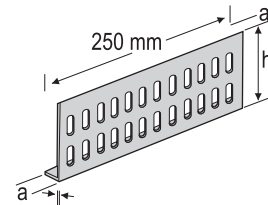
Sipariş No (Order Number)	A (mm)	H (mm)	S (mm)	Ağırlığı (Weight) Kg / Mt
AFC - 100 SPM 20 . 20	20	83	1.5	1,217



Seviye Değişirme Elemanı

Level Change Unit

Sipariş No (Order Number)	A (mm)	H (mm)	S (mm)	Ağırlığı (Weight) Kg / Ad
AFC - 100 SD 15 . 20	15	62	2.0	0,686



Ek Elemanları

Staright Connectors

Sipariş No (Order Number)	A (mm)	H (mm)	S (mm)	Ağırlığı (Weight) Kg / Ad
AFC - 100 ME 15 . 20	15	94	2.0	0,364