



# AĞIR HİZMET KABLO KANALLARI H100 HEAVY DUTY CABLE TRAYS H100

## Ağır Hizmet Kablo Kanalı Heavy Duty Cable Trays

Sipariş No (Order Number)	A (mm)	H (mm)	S (mm)	Ağırlığı (Weight) Kg / Mt
AFC - 100 A 100 . 15	100	100	1.5	3,325
AFC - 100 A 100 . 20	100	100	2.0	4,433
AFC - 100 A 120 . 15	120	100	1.5	3,505
AFC - 100 A 120 . 20	120	100	2.0	4,673
AFC - 100 A 160 . 15	160	100	1.5	3,884
AFC - 100 A 160 . 20	160	100	2.0	5,179
AFC - 100 A 200 . 15	200	100	1.5	4,250
AFC - 100 A 200 . 20	200	100	2.0	5,667
AFC - 100 A 260 . 15	260	100	1.5	4,851
AFC - 100 A 260 . 20	260	100	2.5	6,468
AFC - 100 A 300 . 15	300	100	1.5	5,165
AFC - 100 A 300 . 20	300	100	2.0	6,886
AFC - 100 A 400 . 20	400	100	2.0	8,106
AFC - 100 A 500 . 20	500	100	2.0	9,325
AFC - 100 A 600 . 20	600	100	2.0	10,545

### Yüzey Koruma Yöntemleri

D: Sıcak Daldırma Galvaniz (TS914)  
E: Beyaz Elektro Galvaniz (TS149)  
S: Sarı Elektro Galvaniz (TS149)  
B: Elektostatik Toz Boya Kodu (R7035)  
ALE : Eloksalli Alüminyum

### Malzeme Tipleri

P : Pre Galvaniz (TS822)  
AL : Alüminyum  
304 : Paslanmaz

Malzeme Tipi ve Yüzey Koruma Yöntemini belirtmek için Kod'un sonuna ilgili sembolü ekleyiniz. Örnek: 100 A 100.15 P

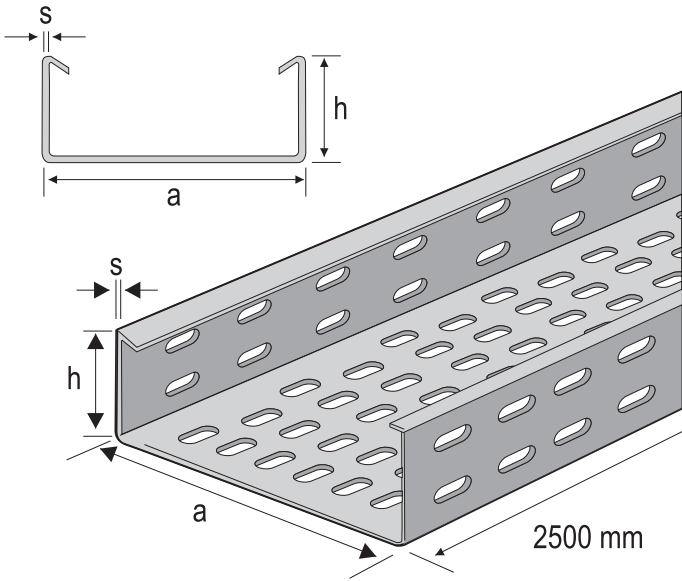
### Surface Treatment

D: Hot-Dip Zinc Coating (EN1461)  
E: Electrolytic Zinc Coating E=White (DIN50976)  
S: Electrolytic Zinc Coating - Yellow (DIN50976)  
B: Electro-static Powder Coating (R7035)  
ALE : Aluminium Anodized

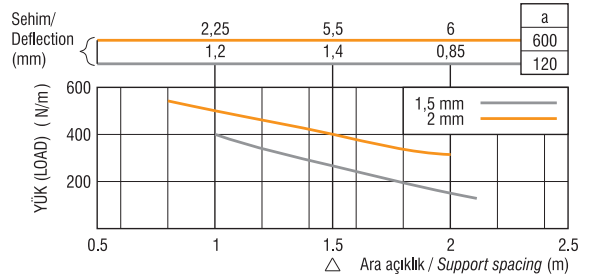
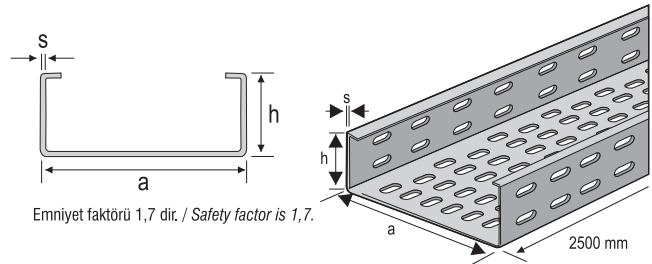
### Materials

P : Pre Galvanized (EN10142 / DIN17162)  
AL : Aluminium  
304 : Stainless Steel

You may order material types and coating specifications with a symbol which put end of the code. Example: AFC-100 A 100.15 P



### maksimum yük kapasiteleri (maximum load capacity)



Yük taşıma kapasiteleri belirlenirken kablo kanallarının N/m olarak ağırlıkları dikkate alınmalıdır. / When determining the load capacities the unit weights (asper N/m) of the cable trays should be considered.  
Ek yerleri sistemde herhangi bir yerde olabilir. / Connecting places can be anywhere in the system.  
Tavsiye edilen destekler arası maksimum mesafe (max. ara açıklık) 1.5 m dir. / Recommended distance between supports is max 1.5 mt.





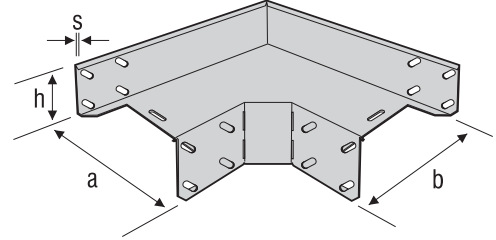
# AĞIR HİZMET KABLO KANALLARI H100

## HEAVY DUTY CABLE TRAYS H100

### 90° Yatay Dönüşler

#### Horizontal Bends 90°

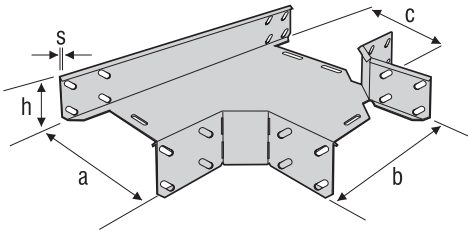
Sipariş No (Order Number)	A (mm)	B (mm)	H (mm)	S (mm)	Ağırlığı (Weight) Kg / Ad
AFC - 100 AK 100 . 15	105	105	106	1.5	1,687
AFC - 100 AK 120 . 15	125	125	106	1.5	1,832
AFC - 100 AK 160 . 15	165	165	106	1.5	2,117
AFC - 100 AK 200 . 15	205	205	106	1.5	2,508
AFC - 100 AK 260 . 15	265	265	106	1.5	3,082
AFC - 100 AK 300 . 20	305	305	106	2.0	4,758
AFC - 100 AK 400 . 20	405	405	106	2.0	6,492
AFC - 100 AK 500 . 20	505	505	106	2.0	8,547
AFC - 100 AK 600 . 20	605	605	106	2.0	10,921



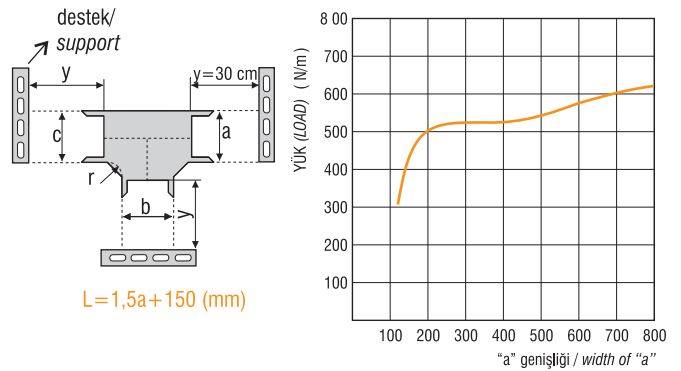
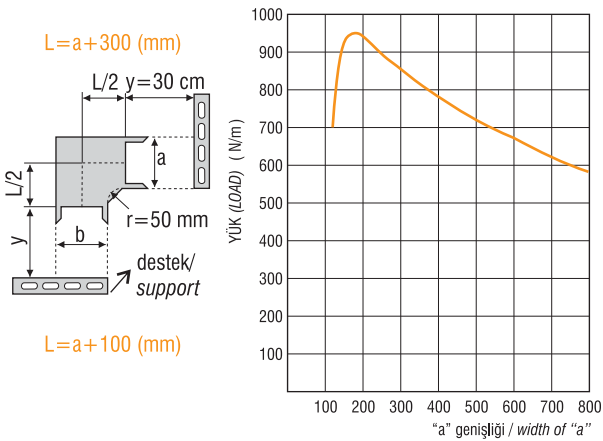
### T Dönüşler

#### Horizontal Tees

Sipariş No (Order Number)	A (mm)	B (mm)	C (mm)	H (mm)	S (mm)	Ağırlığı (Weight) Kg / Ad
AFC - 100 AT 100 . 15	105	105	105	106	1.5	3,149
AFC - 100 AT 120 . 15	125	125	125	106	1.5	3,339
AFC - 100 AT 160 . 15	165	165	165	106	1.5	3,531
AFC - 100 AT 200 . 15	205	205	205	106	1.5	3,862
AFC - 100 AT 260 . 15	265	265	265	106	1.5	4,388
AFC - 100 AT 300 . 20	305	305	305	106	2.0	6,419
AFC - 100 AT 400 . 20	405	405	405	106	2.0	8,010
AFC - 100 AT 500 . 20	505	505	505	106	2.0	9,920
AFC - 100 AT 600 . 20	605	605	605	106	2.0	12,150



#### maksimum yük kapasiteleri (maximum load capacity)



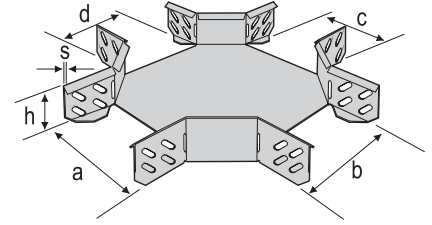
Yükler uygulanırken L boyu dikkate alınmalıdır. / The length of L should be considered while loading.  
Yük uniform yayılı yüküdür. / Load distribution is assumed to be uniform.  
Emniyet faktörü 1,7 dir. / Safety factor is 1,7.



# AĞIR HİZMET KABLO KANALLARI H100 HEAVY DUTY CABLE TRAYS H100

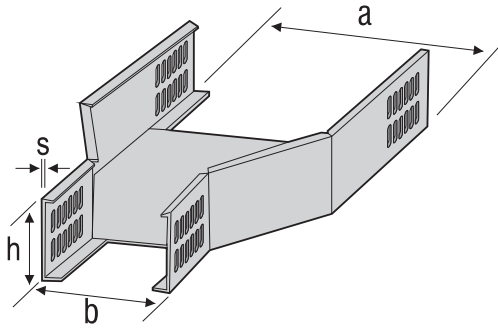
## Dörtlü Bağlantılar Horizontal Crossings

Sipariş No (Order Number)	A (mm)	B (mm)	C (mm)	D (mm)	H (mm)	S (mm)	Ağırlığı (Weight) Kg / Ad
AFC - 100 AD 100 . 15	105	105	105	105	106	1.5	8,707
AFC - 100 AD 120 . 15	125	125	125	125	106	1.5	8,809
AFC - 100 AD 160 . 15	165	165	165	165	106	1.5	9,041
AFC - 100 AD 200 . 15	205	205	205	205	106	1.5	9,312
AFC - 100 AD 260 . 15	265	265	265	265	106	1.5	9,790
AFC - 100 AD 300 . 20	305	305	305	305	106	2.0	13,542
AFC - 100 AD 400 . 20	405	405	405	405	106	2.0	14,988
AFC - 100 AD 500 . 20	505	505	505	505	106	2.0	16,755
AFC - 100 AD 600 . 20	605	605	605	605	106	2.0	18,841



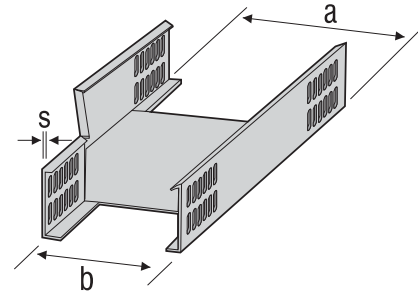
## Redüksiyonlar (Düz) Reducing Angles

Sipariş No (Order Number)	A (mm)	B (mm)	H (mm)	S (mm)	Ağırlığı (Weight) Kg / Ad
AFC - 100 AR 120 . 15	125	105	106	1.5	2,377
AFC - 100 AR 160 . 15	165	125	106	1.5	2,765
AFC - 100 AR 200 . 15	205	165	106	1.5	3,192
AFC - 100 AR 260 . 15	265	205	106	1.5	3,896
AFC - 100 AR 300 . 20	305	265	106	2.0	5,895
AFC - 100 AR 400 . 20	405	305	106	2.0	7,828
AFC - 100 AR 500 . 20	505	405	106	2.0	10,066
AFC - 100 AR 600 . 20	605	505	106	2.0	12,641



## Redüksiyonlar (Sol) Reducing Angles (Left)

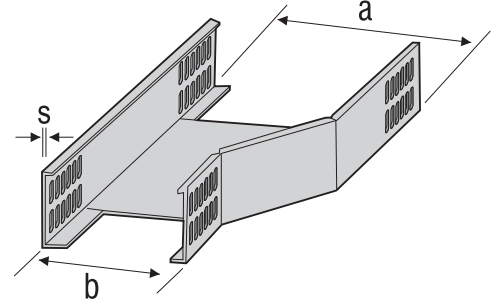
Sipariş No (Order Number)	A (mm)	B (mm)	H (mm)	S (mm)	Ağırlığı (Weight) Kg / Ad
AFC - 100 ARL 120 . 15	125	105	106	1.5	1,336
AFC - 100 ARL 160 . 15	165	125	106	1.5	1,598
AFC - 100 ARL 200 . 15	205	165	106	1.5	1,894
AFC - 100 ARL 260 . 15	265	205	106	1.5	2,405
AFC - 100 ARL 300 . 20	305	265	106	2.0	3,743
AFC - 100 ARL 400 . 20	405	305	106	2.0	5,215
AFC - 100 ARL 500 . 20	505	405	106	2.0	7,037
AFC - 100 ARL 600 . 20	605	505	106	2.0	9,186



### Redüksiyonlar (Sağ)

#### Reducing Angles (Right)

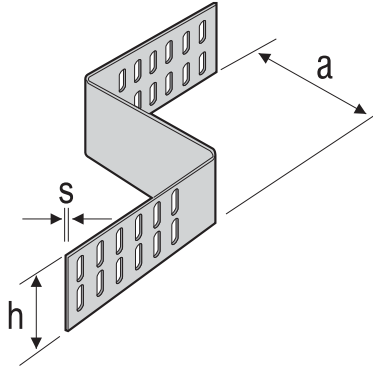
Sipariş No (Order Number)	A (mm)	B (mm)	H (mm)	S (mm)	Ağırlığı (Weight) Kg / Ad
AFC - 100 ARR 120 . 15	125	105	106	1.5	1,336
AFC - 100 ARR 160 . 15	165	125	106	1.5	1,598
AFC - 100 ARR 200 . 15	205	165	106	1.5	1,894
AFC - 100 ARR 260 . 15	265	205	106	1.5	2,405
AFC - 100 ARR 300 . 20	305	265	106	1.5	3,743
AFC - 100 ARR 400 . 20	405	305	106	2.0	5,215
AFC - 100 ARR 500 . 20	505	405	106	2.0	7,037
AFC - 100 ARR 600 . 20	605	505	106	2.0	9,186



### Z Tipi Redüksiyonlar

#### Z Type Reducing Angles

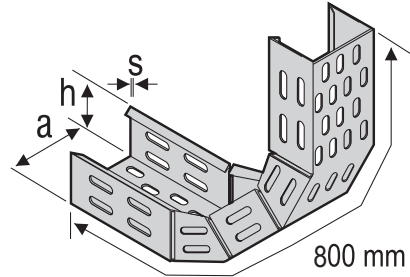
Sipariş No (Order Number)	A (mm)	H (mm)	S (mm)	Ağırlığı (Weight) Kg / Ad
AFC - 100 ZR 25 . 15	25	100	1.5	0,308
AFC - 100 ZR 50 . 15	50	100	1.5	0,338
AFC - 100 ZR 75 . 15	75	100	1.5	0,368
AFC - 100 ZR 100 . 15	100	100	1.5	0,398
AFC - 100 ZR 125 . 15	125	100	1.5	0,428
AFC - 100 ZR 160 . 15	160	100	1.5	0,458
AFC - 100 ZR 200 . 15	200	100	1.5	0,518
AFC - 100 ZR 260 . 20	260	100	2.0	0,770
AFC - 100 ZR 300 . 20	300	100	2.0	0,850
AFC - 100 ZR 350 . 20	350	100	2.0	0,930
AFC - 100 ZR 400 . 20	400	100	2.0	1,010
AFC - 100 ZR 450 . 20	450	100	2.0	1,090
AFC - 100 ZR 500 . 20	500	100	2.0	1,170
AFC - 100 ZR 550 . 20	550	100	2.0	1,250



### İç Bükey Dönüşler

#### Vertical Adjustable Bends Inside

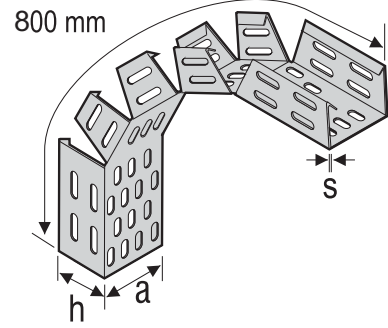
Sipariş No (Order Number)	A (mm)	H (mm)	S (mm)	Ağırlığı (Weight) Kg / Ad
AFC - 100 AİB 100 . 15	100	100	1.5	2,752
AFC - 100 AİB 120 . 15	120	100	1.5	2,917
AFC - 100 AİB 160 . 15	160	100	1.5	3,248
AFC - 100 AİB 200 . 15	200	100	1.5	3,579
AFC - 100 AİB 260 . 15	260	100	1.5	4,005
AFC - 100 AİB 300 . 20	300	100	2.0	5,908
AFC - 100 AİB 400 . 20	400	100	2.0	7,026
AFC - 100 AİB 500 . 20	500	100	2.0	8,177
AFC - 100 AİB 600 . 20	600	100	2.0	9,390



### Dış Bükey Dönüşler

#### Vertical Adjustable Bends Outside

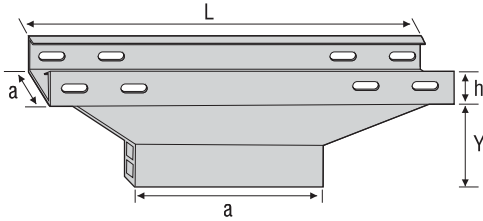
Sipariş No (Order Number)	A (mm)	H (mm)	S (mm)	Ağırlığı (Weight) Kg / Ad
AFC - 100 ADB 100 . 15	100	100	1.5	2,752
AFC - 100 ADB 120 . 15	120	100	1.5	2,917
AFC - 100 ADB 160 . 15	160	100	1.5	3,248
AFC - 100 ADB 200 . 15	200	100	1.5	3,579
AFC - 100 ADB 260 . 15	260	100	1.5	4,005
AFC - 100 ADB 300 . 20	300	100	2.0	5,908
AFC - 100 ADB 400 . 20	400	100	2.0	7,026
AFC - 100 ADB 500 . 20	500	100	2.0	8,177
AFC - 100 ADB 600 . 20	600	100	2.0	9,390



### Dikey T Bağlantılar - Ortadan

#### Vertical Tees Middle

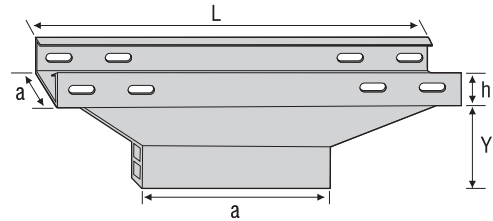
Sipariş No (Order Number)	A (mm)	H (mm)	S (mm)	Ağırlığı (Weight) Kg / Ad
AFC - 100 DTO 100 . 15	100	100	1.5	5,021
AFC - 100 DTO 120 . 15	120	100	1.5	5,396
AFC - 100 DTO 160 . 15	160	100	1.5	6,147
AFC - 100 DTO 200 . 15	200	100	1.5	6,898
AFC - 100 DTO 260 . 15	260	100	1.5	8,024
AFC - 100 DTO 300 . 20	300	100	2.0	8,774
AFC - 100 DTO 400 . 20	400	100	2.0	14,202
AFC - 100 DTO 500 . 20	500	100	2.0	16,704
AFC - 100 DTO 600 . 20	600	100	2.0	19,206



### Dikey T Bağlantılar - Duvardan

#### Vertical Tees Wall

Sipariş No (Order Number)	A (mm)	H (mm)	S (mm)	Ağırlığı (Weight) Kg / Ad
AFC - 100 DTD 100 . 15	100	100	1.5	5,021
AFC - 100 DTD 120 . 15	120	100	1.5	5,396
AFC - 100 DTD 160 . 15	160	100	1.5	6,147
AFC - 100 DTD 200 . 15	200	100	1.5	6,898
AFC - 100 DTD 260 . 15	260	100	1.5	8,024
AFC - 100 DTD 300 . 20	300	100	2.0	8,774
AFC - 100 DTD 400 . 20	400	100	2.0	14,202
AFC - 100 DTD 500 . 20	500	100	2.0	16,704
AFC - 100 DTD 600 . 20	600	100	2.0	19,206

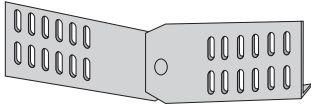
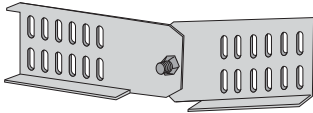
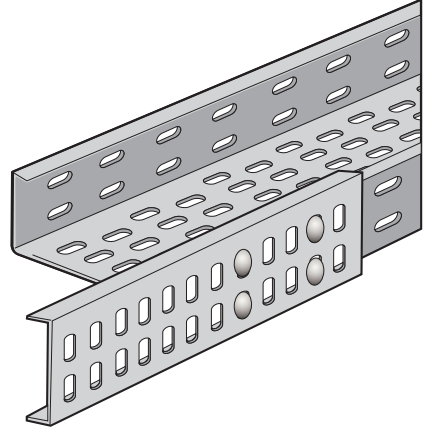
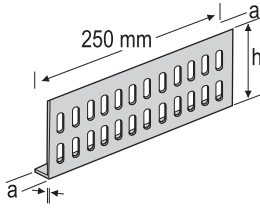




# AĞIR HİZMET KABLO KANALLARI H100 HEAVY DUTY CABLE TRAYS H100

## Ek Elemanları Staright Connectors

Sipariş No (Order Number)	A (mm)	H (mm)	S (mm)	Ağırlığı (Weight) Kg / Ad
AFC - 100 AE 15 . 20	15	94	2.0	0,364



## Seviye Değişirme Elemanı Level Change Unit

Sipariş No (Order Number)	A (mm)	H (mm)	S (mm)	Ağırlığı (Weight) Kg / Ad
AFC - 100 SD 15 . 20	15	102	2.0	0,686

## Seperatör Seperator

Sipariş No (Order Number)	A (mm)	H (mm)	S (mm)	Ağırlığı (Weight) Kg / Mt
AFC - 100 SPK 20 . 20	20	98	2.0	1,397

