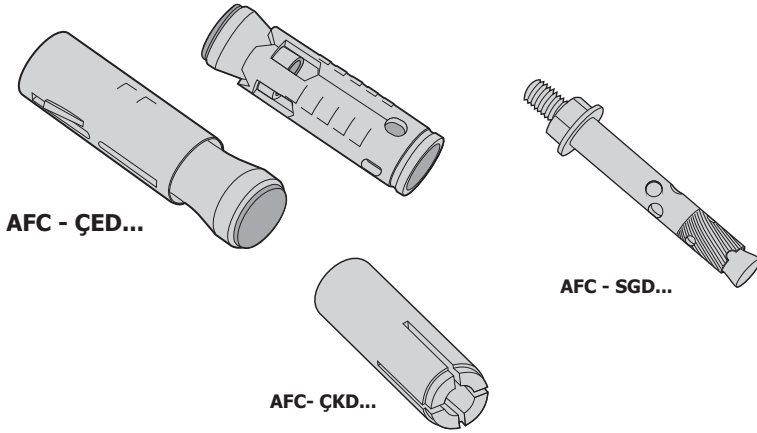
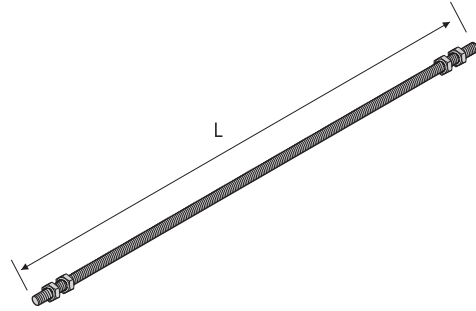


Tijler

Rods

Sipariş No (Order Number)	R (mm)	L (mm)	Ağırlığı (Weight) Kg / Ad
AFC - T M 8 x 1000	8	1000	0.295
AFC - T M 8 x 2000	8	2000	0.590
AFC - T M 10 x 1000	10	1000	0.480
AFC - T M 10 x 2000	10	2000	0.960
AFC - T M 12 x 1000	12	1000	0.690
AFC - T M 12 x 2000	12	2000	1.380



Çelik Dübeller

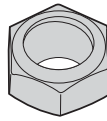
Steel Dowels

Sipariş No (Order Number)	R (mm)	L (mm)	Ağırlığı (Weight) Kg / Ad
AFC - ÇED M 6	6	45	0.012
AFC - ÇED M 8	8	50	0.016
AFC - ÇED M 10	10	60	0.031
AFC - ÇED M 12	12	70	0.054
AFC - ÇKD M 6	6	25	0.007
AFC - ÇKD M 8	8	30	0.013
AFC - ÇKD M 10	10	40	0.023
AFC - ÇKD M 12	12	50	0.047
AFC - SGD M 6	6	65	0.016
AFC - SGD M 8	8	55	0.031
AFC - SGD M 10	10	70	0.063
AFC - SGD M 12	12	90	0.120

Çelik Somunlar

Steel Nuts

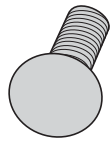
Sipariş No (Order Number)	R (mm)	Ağırlığı (Weight) Kg / Ad
AFC - ÇS M 6	6	0.003
AFC - ÇS M 8	8	0.005
AFC - ÇS M 10	10	0.010
AFC - ÇS M 12	12	0.015



Bombe Başlı Civata

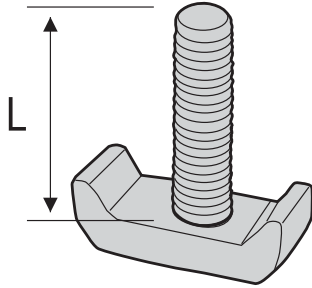
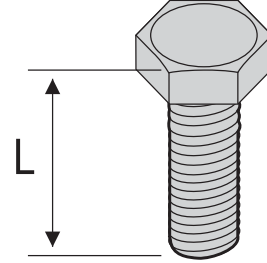
Bolt

Sipariş No (Order Number)	R (mm)	L (mm)	Ağırlığı (Weight) Kg / Ad
AFC - BBC M 6 x 12	6	12	0.005
AFC - BBC M 8 x 15	8	25	0.007



Altı Köşe Başlı Civatalar
Bolts

Sipariş No (Order Number)	R (mm)	L (mm)	Ağırlığı (Weight) Kg / Ad
AFC - ADC M 6 x 15	6	15	0.005
AFC - ADC M 6 x 20	6	20	0.006
AFC - ADC M 6 x 45	6	45	0.010
AFC - ADC M 8 x 15	8	15	0.011
AFC - ADC M 8 x 20	8	20	0.012
AFC - ADC M 8 x 50	8	50	0.021
AFC - ADC M 10 x 20	10	20	0.023
AFC - ADC M 10 x 25	10	25	0.025
AFC - ADC M 10 x 30	10	30	0.027
AFC - ADC M 10 x 60	10	60	0.045
AFC - ADC M 12 x 30	12	30	0.040
AFC - ADC M 12 x 70	12	70	0.073

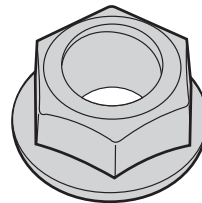


T Civatalar
T Bolts

Sipariş No (Order Number)	R (mm)	L (mm)	Ağırlığı (Weight) Kg / Ad
AFC - TC M 8 x 30	8	30	0.054
AFC - TC M 8 x 40	8	40	0.058
AFC - TC M 8 x 50	8	50	0.062
AFC - TC M 10 x 30	10	30	0.060
AFC - TC M 10 x 40	10	40	0.065
AFC - TC M 10 x 50	10	50	0.070
AFC - TC M 12 x 30	12	30	0.062
AFC - TC M 12 x 40	12	40	0.068
AFC - TC M 12 x 50	12	50	0.074

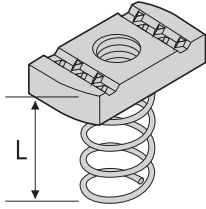
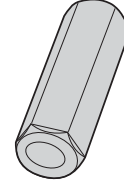
Flanşlı Somunlar
Nuts

Sipariş No (Order Number)	R (mm)	Ağırlığı (Weight) Kg / Ad
AFC - FS M 6	6	0.004
AFC - FS M 8	8	0.007
AFC - FS M 10	10	0.013
AFC - FS M 12	12	0.022



Uzatma Somunları
Nuts

Sipariş No (Order Number)	R (mm)	L (mm)	Ağırlığı (Weight) Kg / Ad
AFC - US M 6	6	35	0.019
AFC - US M 8	8	35	0.019
AFC - US M 10	10	35	0.041
AFC - US M 12	12	35	0.042

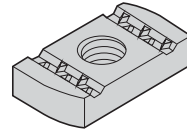


Yaylı Somunlar
Nuts

Sipariş No (Order Number)	R (mm)	L (mm)	Ağırlığı (Weight) Kg / Ad
AFC - YS M 6	6	30	0.042
AFC - YS M 8	8	30	0.041
AFC - YS M 10	10	30	0.039
AFC - YS M 12	12	30	0.038

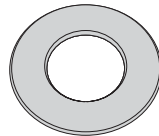
N Tip Somunlar (Yaysız)
N Type Nuts (Not Spring)

Sipariş No (Order Number)	R (mm)	Ağırlığı (Weight) Kg / Ad
AFC - NS M 6	6	0.024
AFC - NS M 8	8	0.024
AFC - NS M 10	10	0.024
AFC - NS M 12	12	0.024



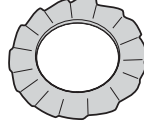
Düz Rondelalar (Pullar)
Flat Washer

Sipariş No (Order Number)	R (mm)	Ağırlığı (Weight) Kg / Ad
AFC - DR M 6	6	0.001
AFC - DR M 8	8	0.002
AFC - DR M 10	10	0.003
AFC - DR M 12	12	0.004



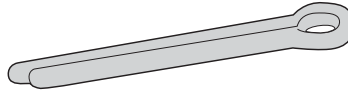
Tırtıllı Rondelalar (Pullar)
Washer

Sipariş No (Order Number)	R (mm)	Ağırlığı (Weight) Kg / Ad
AFC - TR M 6	6	0.001
AFC - TR M 8	8	0.002
AFC - TR M 10	10	0.003
AFC - TR M 12	12	0.004



Yaylı Rondelalar (Pullar)
Spring Lock Washer

Sipariş No (Order Number)	R (mm)	Ağırlığı (Weight) Kg / Ad
AFC - YR M 6	6	0.001
AFC - YR M 8	8	0.002
AFC - YR M 10	10	0.003
AFC - YR M 12	12	0.004



Kopilya
Pin

Sipariş No (Order Number)	Ağırlığı (Weight) Kg / Ad
AFC - KPL 8x80	0.028

Lastikli Boru Kelepçeleri
Pipe Clamps With Rubber

Sipariş No (Order Number)	Ağırlığı (Weight) Kg / Ad
AFC - BKS M 8 20	0.057
AFC - BKS M 8 25	0.060
AFC - BKS M 8 30	0.070
AFC - BKS M 8 40	0.087
AFC - BKS M 8 50	0.096
AFC - BKS M 8 60	0.112
AFC - BKS M 10 80	0.213
AFC - BKS M 10 90	0.230
AFC - BKS M 10 110	0.312
AFC - BKS M 10 135	0.360
AFC - BKS M 10 160	0.400
AFC - BKS M 12 215	0.533

Mengener
Clamps

Sipariş No (Order Number)	Ağırlığı (Weight) Kg / Ad
AFC - MNG M8	0.160
AFC - MNG M10	0.170

