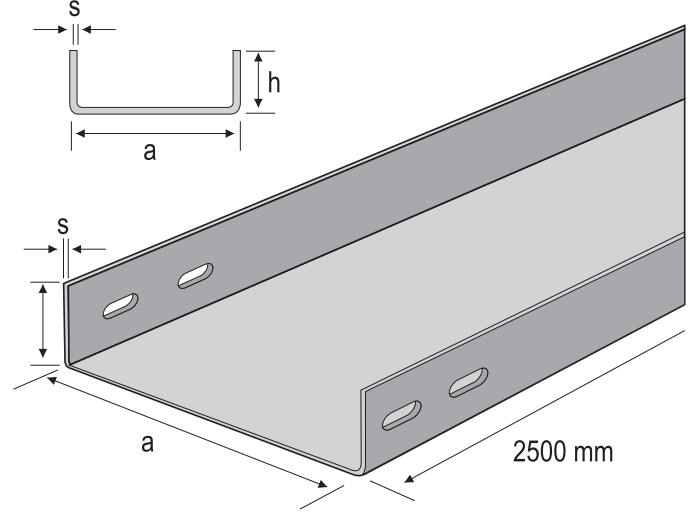




DELİKSİZ KABLO KANALLARI IMPERFORATE CABLE TRAYS

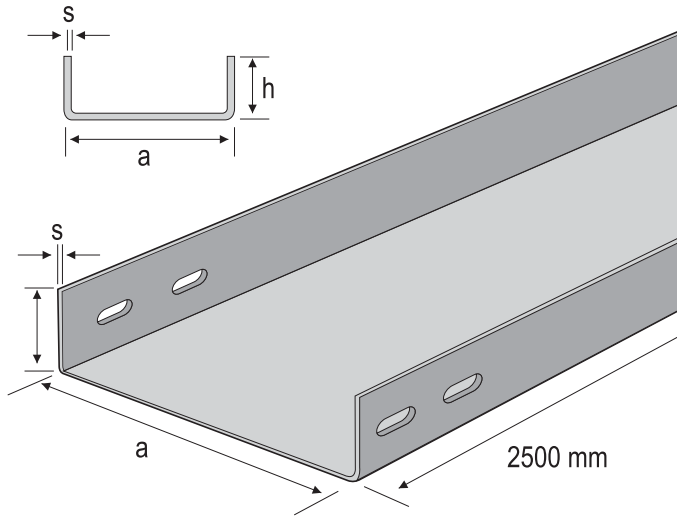
Normal Tip Deliksiz Kablo Kanalı H40 Imperforate Normal Type Cable Tray H40

Sipariş No (Order Number)	A (mm)	H (mm)	S (mm)	Ağırlığı (Weight) Kg / Mt
AFC - 40 DN 50 . 10	50	40	1.0	1,002
AFC - 40 DN 50 . 12	50	40	1.2	1,203
AFC - 40 DN 50 . 15	50	40	1.5	1,503
AFC - 40 DN 50 . 20	50	40	2.0	2,004
AFC - 40 DN 70 . 10	70	40	1.0	1,162
AFC - 40 DN 70 . 12	70	40	1.2	1,395
AFC - 40 DN 70 . 15	70	40	1.5	1,743
AFC - 40 DN 70 . 20	70	40	2.0	2,324
AFC - 40 DN 100 . 10	100	40	1.0	1,386
AFC - 40 DN 100 . 12	100	40	1.2	1,663
AFC - 40 DN 100 . 15	100	40	1.5	2,079
AFC - 40 DN 100 . 20	100	40	2.0	2,772
AFC - 40 DN 120 . 10	120	40	1.0	1,546
AFC - 40 DN 120 . 12	120	40	1.2	1,855
AFC - 40 DN 120 . 15	120	40	1.5	2,319
AFC - 40 DN 120 . 20	120	40	2.0	3,092
AFC - 40 DN 160 . 12	160	40	1.2	2,239
AFC - 40 DN 160 . 15	160	40	1.5	2,799
AFC - 40 DN 160 . 20	160	40	2.0	3,732
AFC - 40 DN 200 . 12	200	40	1.2	2,623
AFC - 40 DN 200 . 15	200	40	1.5	3,279
AFC - 40 DN 200 . 20	200	40	2.0	4,372
AFC - 40 DN 260 . 15	260	40	1.5	3,879
AFC - 40 DN 260 . 20	260	40	2.0	5,172
AFC - 40 DN 300 . 15	300	40	1.5	4,479
AFC - 40 DN 300 . 20	300	40	2.0	5,972
AFC - 40 DN 400 . 15	400	40	1.5	5,655
AFC - 40 DN 400 . 20	400	40	2.0	7,540
AFC - 40 DN 500 . 20	500	40	2.0	9,140
AFC - 40 DN 600 . 20	600	40	2.0	10,740



Normal Tip Deliksiz Kablo Kanalı H60 Imperforate Normal Type Cable Tray H60

Sipariş No (Order Number)	A (mm)	H (mm)	S (mm)	Ağırlığı (Weight) Kg / Mt
AFC - 60 DN 70 . 10	70	60	1.0	1,482
AFC - 60 DN 70 . 12	70	60	1.2	1,779
AFC - 60 DN 70 . 15	70	60	1.5	2,223
AFC - 60 DN 70 . 20	70	60	2.0	2,964
AFC - 60 DN 100 . 10	100	60	1.0	1,706
AFC - 60 DN 100 . 12	100	60	1.2	2,047
AFC - 60 DN 100 . 15	100	60	1.5	2,559
AFC - 60 DN 100 . 20	100	60	2.0	3,412
AFC - 60 DN 120 . 10	120	60	1.0	1,866
AFC - 60 DN 120 . 12	120	60	1.2	2,239
AFC - 60 DN 120 . 15	120	60	1.5	2,799
AFC - 60 DN 120 . 20	120	60	2.0	3,732
AFC - 60 DN 160 . 12	160	60	1.2	2,623
AFC - 60 DN 160 . 15	160	60	1.5	3,279
AFC - 60 DN 160 . 20	160	60	2.0	4,372
AFC - 60 DN 200 . 12	200	60	1.2	3,007
AFC - 60 DN 200 . 15	200	60	1.5	3,759
AFC - 60 DN 200 . 20	200	60	2.0	5,012
AFC - 60 DN 260 . 15	260	60	1.5	4,359
AFC - 60 DN 260 . 20	260	60	2.0	5,812
AFC - 60 DN 300 . 15	300	60	1.5	4,959
AFC - 60 DN 300 . 20	300	60	2.0	6,612
AFC - 60 DN 400 . 15	400	60	1.5	6,135
AFC - 60 DN 400 . 20	400	60	2.0	8,180
AFC - 60 DN 500 . 20	500	60	2.0	9,780
AFC - 60 DN 600 . 20	600	60	2.0	11,380

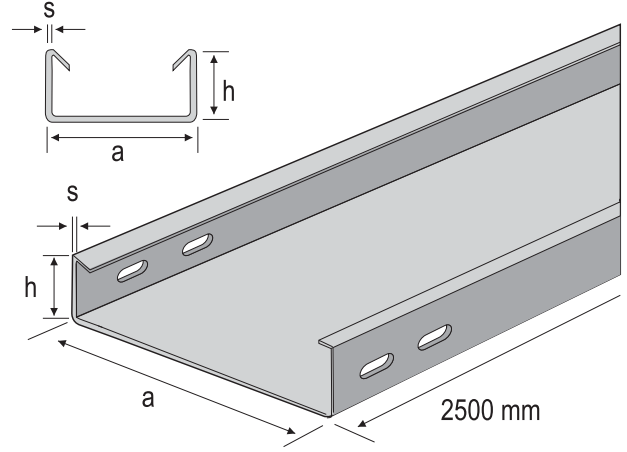




DELİKSİZ KABLO KANALLARI IMPERFORATE CABLE TRAYS

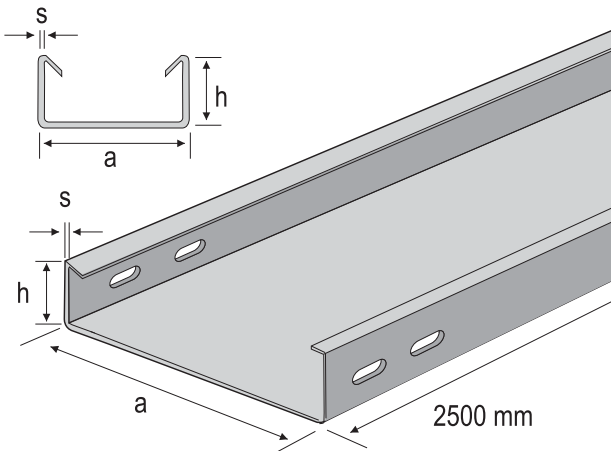
Ağır Hizmet Deliksiz Kablo Kanalları H40 Imperforate Heavy Duty Cable Trays H40

Sipariş No (Order Number)	A (mm)	H (mm)	S (mm)	Ağırlığı (Weight) Kg / Mt
AFC - 40 DA 50 . 10	50	40	1.0	1,162
AFC - 40 DA 50 . 12	50	40	1.2	1,395
AFC - 40 DA 50 . 15	50	40	1.5	1,743
AFC - 40 DA 50 . 20	50	40	2.0	2,324
AFC - 40 DA 70 . 10	70	40	1.0	1,322
AFC - 40 DA 70 . 12	70	40	1.2	1,587
AFC - 40 DA 70 . 15	70	40	1.5	1,983
AFC - 40 DA 70 . 20	70	40	2.0	2,644
AFC - 40 DA 100 . 10	100	40	1.0	1,546
AFC - 40 DA 100 . 12	100	40	1.2	1,855
AFC - 40 DA 100 . 15	100	40	1.5	2,319
AFC - 40 DA 100 . 20	100	40	2.0	3,092
AFC - 40 DA 120 . 10	120	40	1.0	1,706
AFC - 40 DA 120 . 12	120	40	1.2	2,047
AFC - 40 DA 120 . 15	120	40	1.5	2,559
AFC - 40 DA 120 . 20	120	40	2.0	3,412
AFC - 40 DA 160 . 12	160	40	1.2	2,431
AFC - 40 DA 160 . 15	160	40	1.5	3,039
AFC - 40 DA 160 . 20	160	40	2.0	4,052
AFC - 40 DA 200 . 12	200	40	1.2	2,815
AFC - 40 DA 200 . 15	200	40	1.5	3,519
AFC - 40 DA 200 . 20	200	40	2.0	4,692
AFC - 40 DA 260 . 12	260	40	1.2	3,391
AFC - 40 DA 260 . 15	260	40	1.5	4,239
AFC - 40 DA 260 . 20	260	40	2.0	5,652
AFC - 40 DA 300 . 15	300	40	1.5	4,719
AFC - 40 DA 300 . 20	300	40	2.0	6,292
AFC - 40 DA 400 . 15	400	40	1.5	5,895
AFC - 40 DA 400 . 20	400	40	2.0	7,860
AFC - 40 DA 500 . 20	500	40	2.0	9,460
AFC - 40 DA 600 . 20	600	40	2.0	11,060



Ağır Hizmet Deliksiz Kablo Kanalları H60 Imperforate Heavy Duty Cable Trays H60

Sipariş No (Order Number)	A (mm)	H (mm)	S (mm)	Ağırlığı (Weight) Kg / Mt
AFC - 60 DA 50 . 10	50	40	1.0	1,482
AFC - 60 DA 50 . 12	50	40	1.2	1,779
AFC - 60 DA 50 . 15	50	40	1.5	2,223
AFC - 60 DA 50 . 20	50	40	2.0	2,964
AFC - 60 DA 70 . 10	70	40	1.0	1,642
AFC - 60 DA 70 . 12	70	40	1.2	1,971
AFC - 60 DA 70 . 15	70	40	1.5	2,463
AFC - 60 DA 70 . 20	70	40	2.0	3,284
AFC - 60 DA 100 . 10	100	40	1.0	1,866
AFC - 60 DA 100 . 12	100	40	1.2	2,239
AFC - 60 DA 100 . 15	100	40	1.5	2,799
AFC - 60 DA 100 . 20	100	40	2.0	3,732
AFC - 60 DA 120 . 10	120	40	1.0	2,026
AFC - 60 DA 120 . 12	120	40	1.2	2,431
AFC - 60 DA 120 . 15	120	40	1.5	3,039
AFC - 60 DA 120 . 20	120	40	2.0	4,052
AFC - 60 DA 160 . 12	160	40	1.2	2,815
AFC - 60 DA 160 . 15	160	40	1.5	3,519
AFC - 60 DA 160 . 20	160	40	2.0	4,692
AFC - 60 DA 200 . 12	200	40	1.2	3,199
AFC - 60 DA 200 . 15	200	40	1.5	3,999
AFC - 60 DA 200 . 20	200	40	2.0	5,332
AFC - 60 DA 260 . 12	260	40	1.2	3,775
AFC - 60 DA 260 . 15	260	40	1.5	4,719
AFC - 60 DA 260 . 20	260	40	2.0	6,292
AFC - 60 DA 300 . 15	300	40	1.5	5,199
AFC - 60 DA 300 . 20	300	40	2.0	6,932
AFC - 60 DA 400 . 15	400	40	1.5	6,375
AFC - 60 DA 400 . 20	400	40	2.0	8,500
AFC - 60 DA 500 . 20	500	40	2.0	10,100
AFC - 60 DA 600 . 20	600	40	2.0	11,700

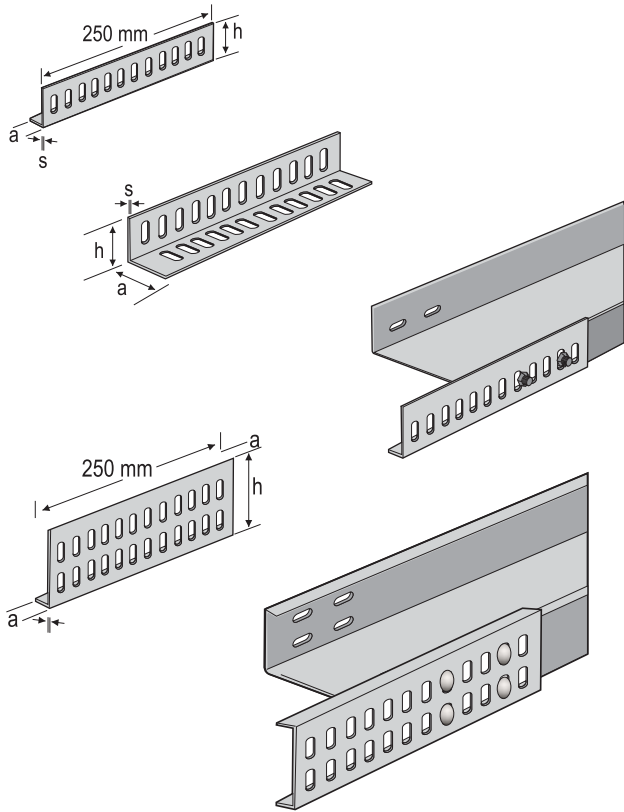
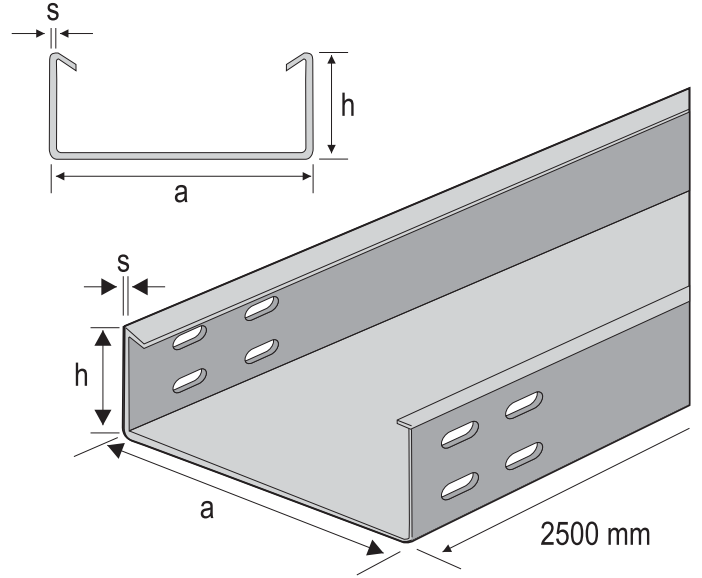




DELİKSİZ KABLO KANALLARI IMPERFORATE CABLE TRAYS

Ağır Hizmet Deliksiz Kablo Kanalı H100 Imperforate Heavy Duty Cable Trays H100

Sipariş No (Order Number)	A (mm)	H (mm)	S (mm)	Ağırlığı (Weight) Kg / Ad
AFC - 100 DA 100 . 15	100	60	1.5	3,727
AFC - 100 DA 100 . 20	100	60	2.0	4,969
AFC - 100 DA 120 . 15	120	60	1.5	3,967
AFC - 100 DA 120 . 20	120	60	2.0	5,289
AFC - 100 DA 160 . 15	160	60	1.5	4,447
AFC - 100 DA 160 . 20	160	60	2.0	5,929
AFC - 100 DA 200 . 15	200	60	1.5	4,927
AFC - 100 DA 200 . 20	200	60	2.0	6,569
AFC - 100 DA 260 . 15	260	60	1.5	5,527
AFC - 100 DA 260 . 20	260	60	2.5	7,369
AFC - 100 DA 300 . 15	300	60	1.5	6,127
AFC - 100 DA 300 . 20	300	60	2.0	8,169
AFC - 100 DA 400 . 20	400	60	2.0	9,769
AFC - 100 DA 500 . 20	500	60	2.0	11,369
AFC - 100 DA 600 . 20	600	60	2.0	12,969



Ek Elemanları Staright Connectors

Sipariş No (Order Number)	A (mm)	H (mm)	S (mm)	Ağırlığı (Weight) Kg / Ad
AFC - 40 NE 15 . 15	15	42	1.5	0,143
AFC - 40 NE 15 . 20	15	42	2.0	0,191
AFC - 40 NE 40 . 20	40	42	2.0	0,265
AFC - 60 NE 15 . 15	15	62	1.5	0,198
AFC - 60 NE 15 . 20	15	62	2.0	0,265
AFC - 60 NE 40 . 20	40	62	2.0	0,308
AFC - 100 AE 15 . 20	15	94	2.0	0,364